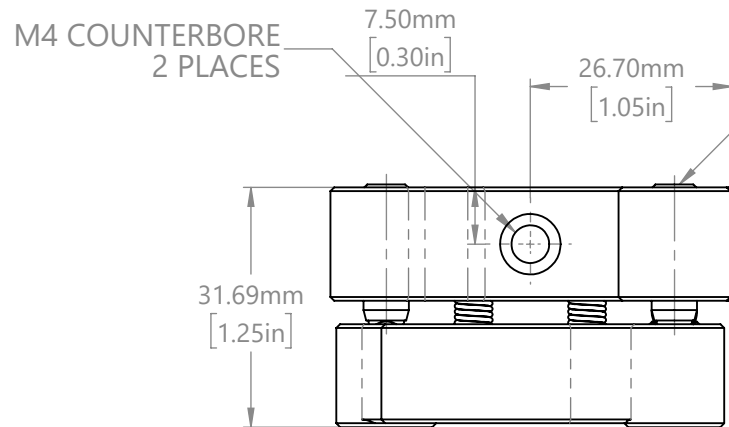
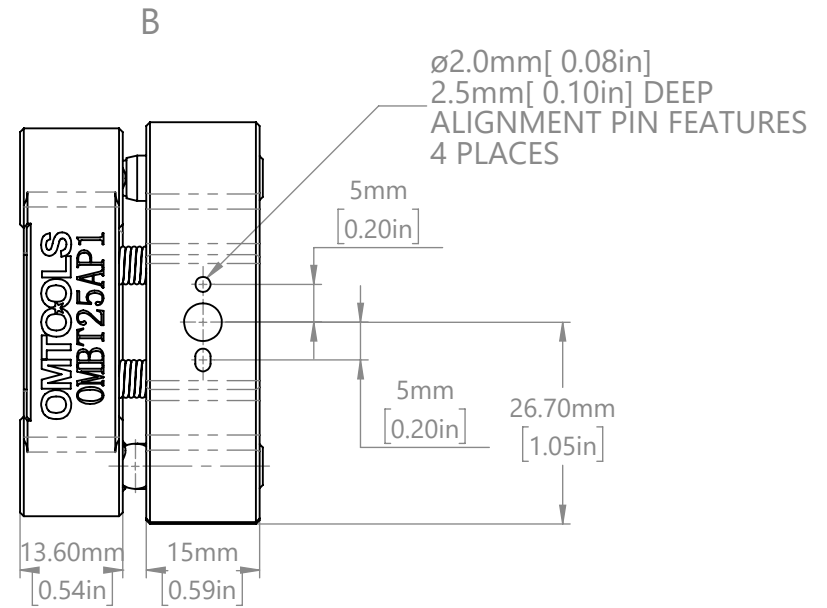
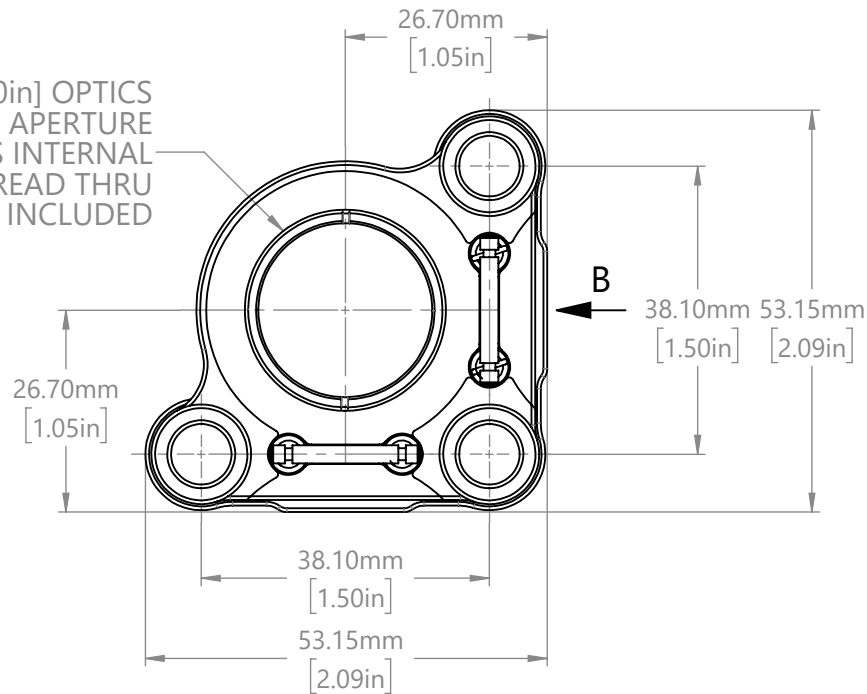
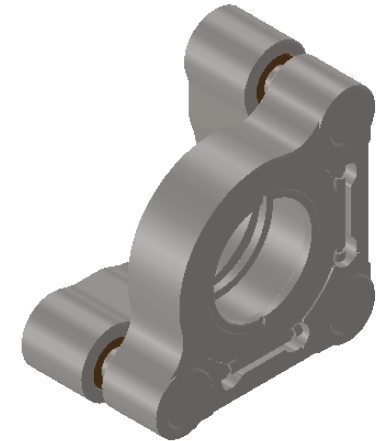


ACCEPTS $\varnothing 25.4\text{mm}$ [1.00in] OPTICS
 $\varnothing 22.8\text{mm}$ [0.9in] CLEAR APERTURE
 SM1 (1.035-40) SERIES INTERNAL
 THREAD THRU
 2 PCS GYKH25C INCLUDED



M6X0.25 ADJUSTER SCREWS
 PROVIDES $\pm 4^\circ$ TOTAL ANGULAR
 DISPLACEMENT (0.4° PER REV-
 OLUTION) 2 PLACES
 2.0mm [5/64in] HEX



DRAWING PROJECTION			OMTOOLS	
REV	A0	OMBT25DP1 不锈钢光学调整架		
DRAWN	TODD			
DATE	2023/12/12	WEIGHT	SCALE	
FOR INFORMATION ONLY NOT FOR MANUFACTURING PURPOSES		0.27kg	1:1	