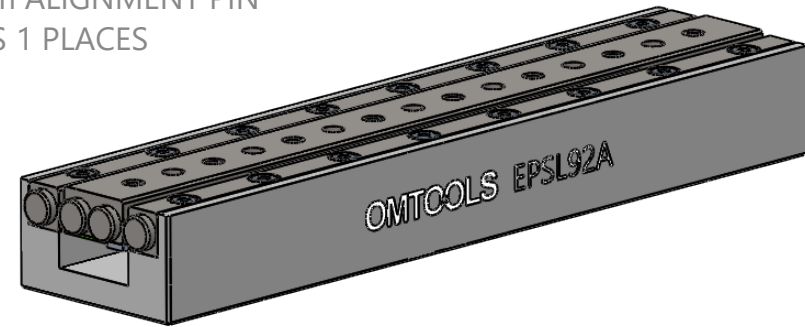
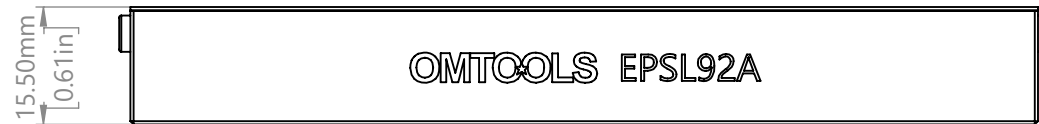


Ø 3mm ALIGNMENT PIN HOLES 1 PLACES



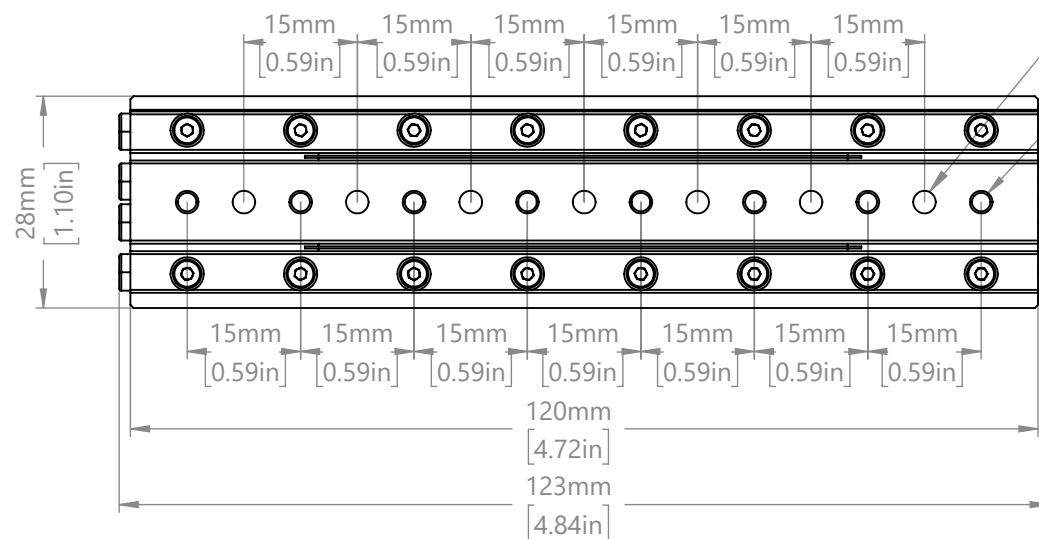
Ø 3.5mm THRU HOLE HOLES 2 PLACES

M3 MOUNTING HOLES THROUGH 8 PLACES

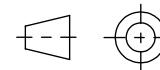


Ø 3mm ALIGNMENT PIN HOLES 7 PLACES

M3 MOUNTING HOLES THROUGH 8 PLACES



DRAWING PROJECTION



**OMTOOLS**

REV

A0

EPSL92A 线性压电位移台

DRAWN

TODD

DATE

2023/6/15

WEIGHT

SCALE

FOR INFORMATION ONLY  
NOT FOR MANUFACTURING PURPOSES

0.19kg

1:1