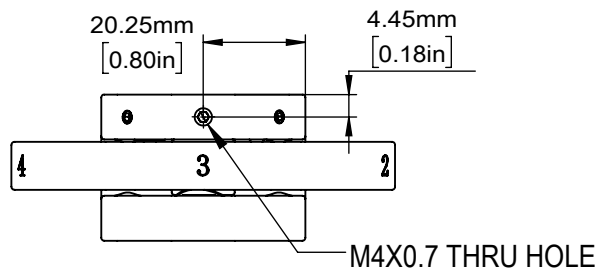
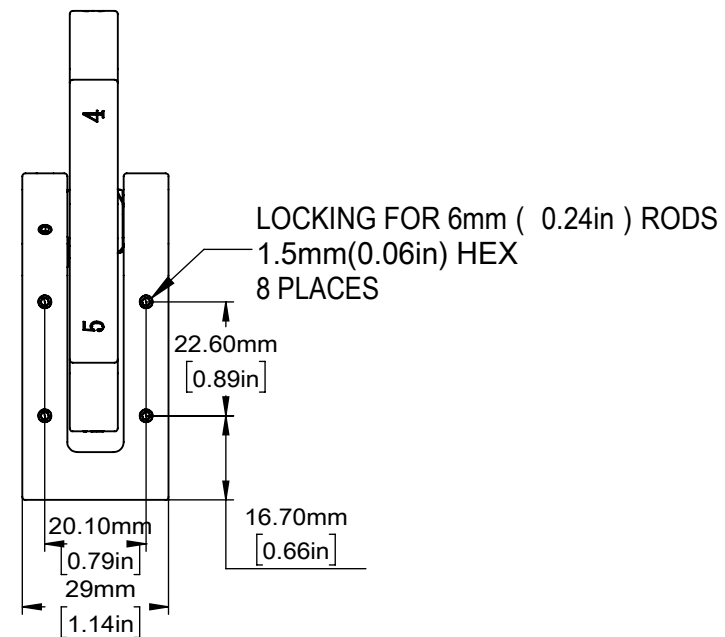
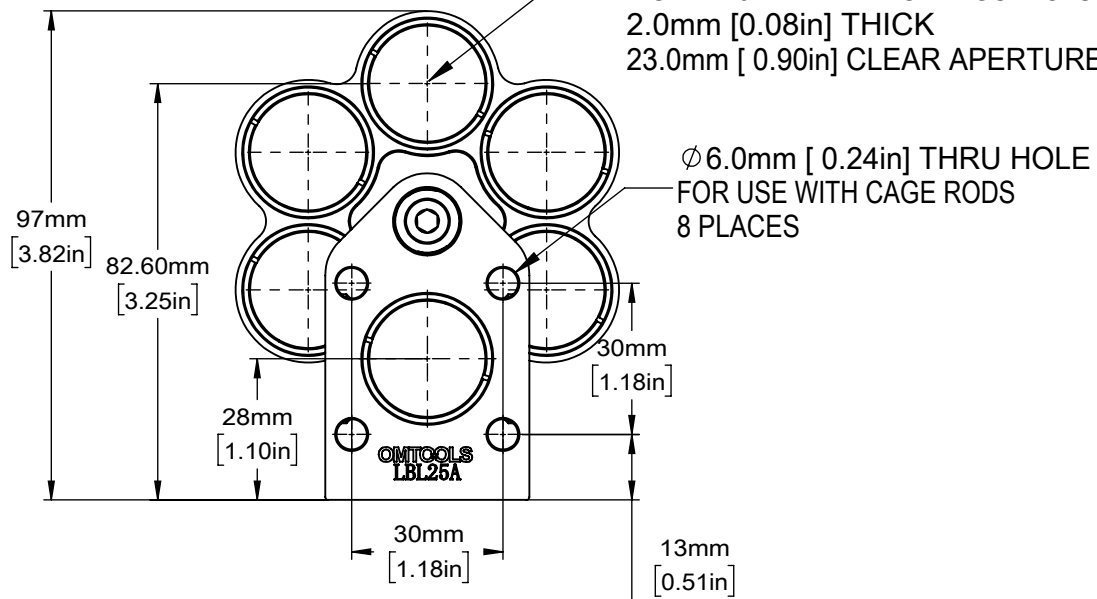
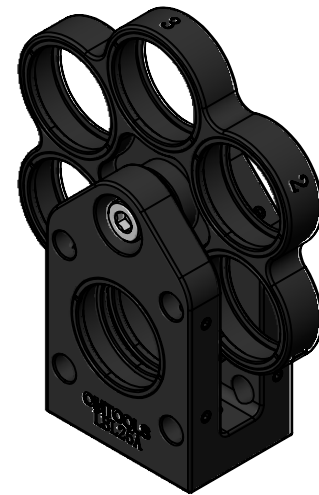
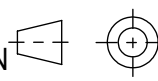


SM1 (1.035in-40) SERIES INTERNAL THREAD  
 ACCEPTS 25.4mm [ 1.00in]  
 MAXIMUM 6.5mm[0.25in] THICK OPTICS  
 1 GYKH25A RETAINING RINGS INCLUDED  
 2.0mm [0.08in] THICK  
 23.0mm [ 0.90in] CLEAR APERTURE



DRAWING PROJECTION 		<b>OMTOOLS</b>	
REV	A0		
DRAWN	TODD	WEIGHT	SCALE
DATE	2020/10/20	0.14kg	2:3
FOR INFORMATION ONLY NOT FOR MANUFACTURING PURPOSES			