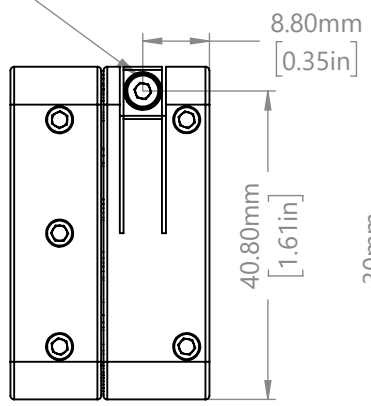
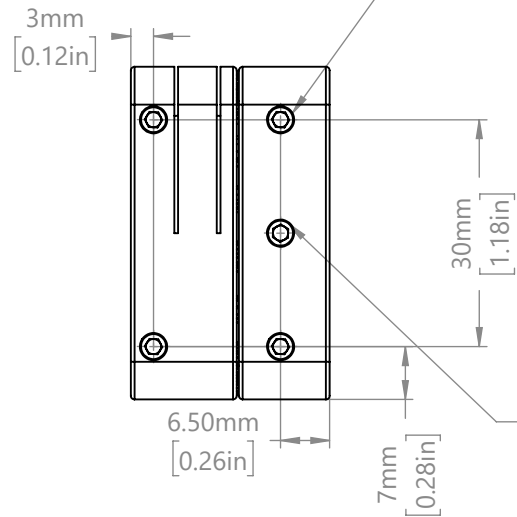


ANGULAR POSITION CLAMPING SCREW
2mm(0.08in) HEX

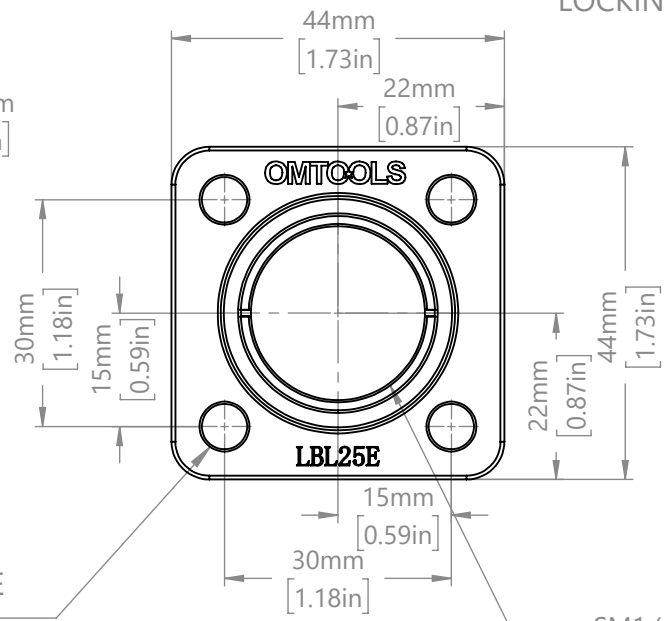


LOCKING FOR 6mm(0.24in) RODS
2mm(0.08in) HEX
4 PLACES , BOTH SIDES

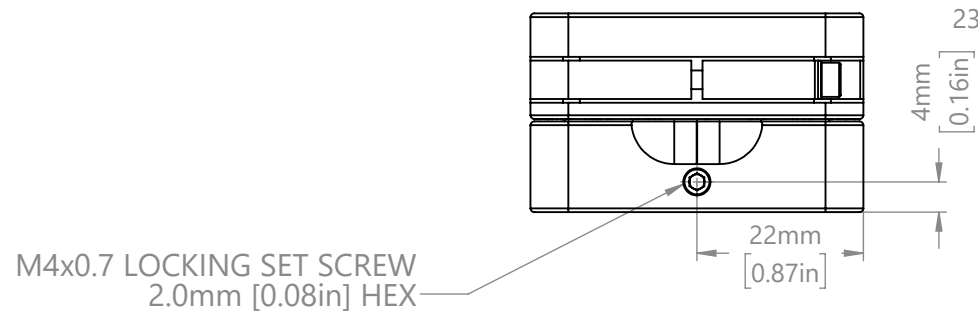


M4x0.7 LOCKING SET SCREW
2.0mm [0.08in] HEX
2 PLACES,BOTH SIDES

Ø 6.0mm [0.24in] THRU HOLE
FOR USE WITH CAGE RODS
THROUGH 4 PLACES



SM1 (1.035in-40) SERIES INTERNAL THREAD
ACCEPTS 25.4mm [1.00in] MAXIMUM 21mm[0.83in] THICK OPTICS
2 GYKH25A RETAINING RINGS INCLUDED
2.1mm [0.08in] THICK
23.0mm [0.90in] CLEAR APERTURE



| | | | | | |
|--|----------|---------------|-----|--------|-------|
| DRAWING PROJECTION | | | | | |
| REV | A0 | LBL25E | | | |
| DRAWN | TODD | | | WEIGHT | SCALE |
| DATE | 2023/8/4 | 0.09kg | 1:1 | | |
| FOR INFORMATION ONLY NOT FOR MANUFACTURING PURPOSES | | | | | |