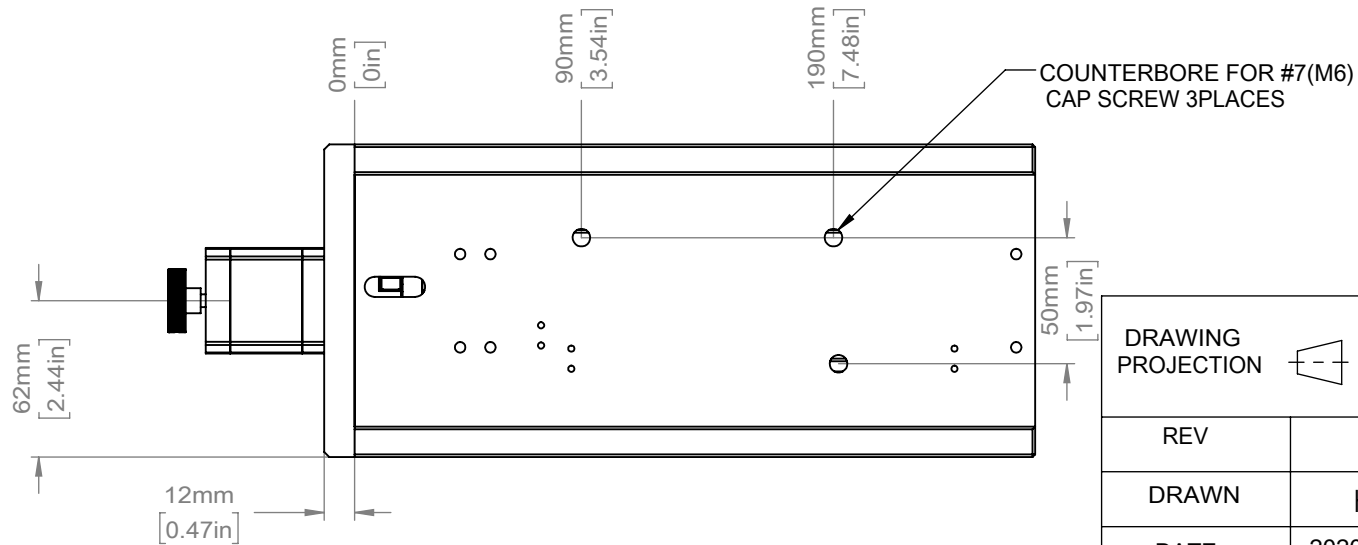
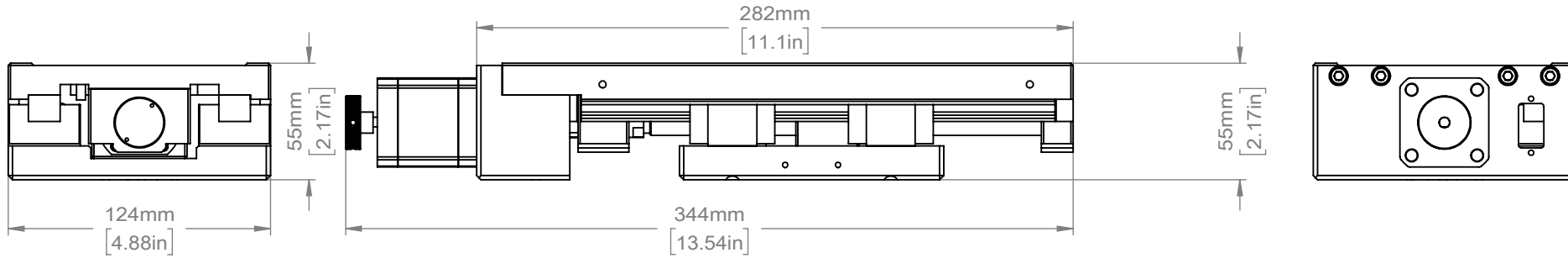
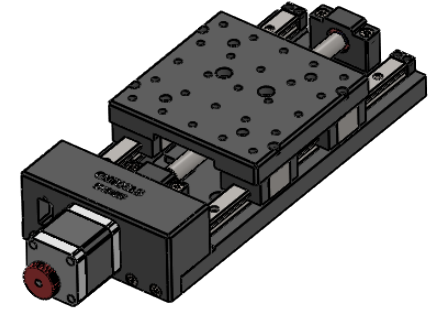
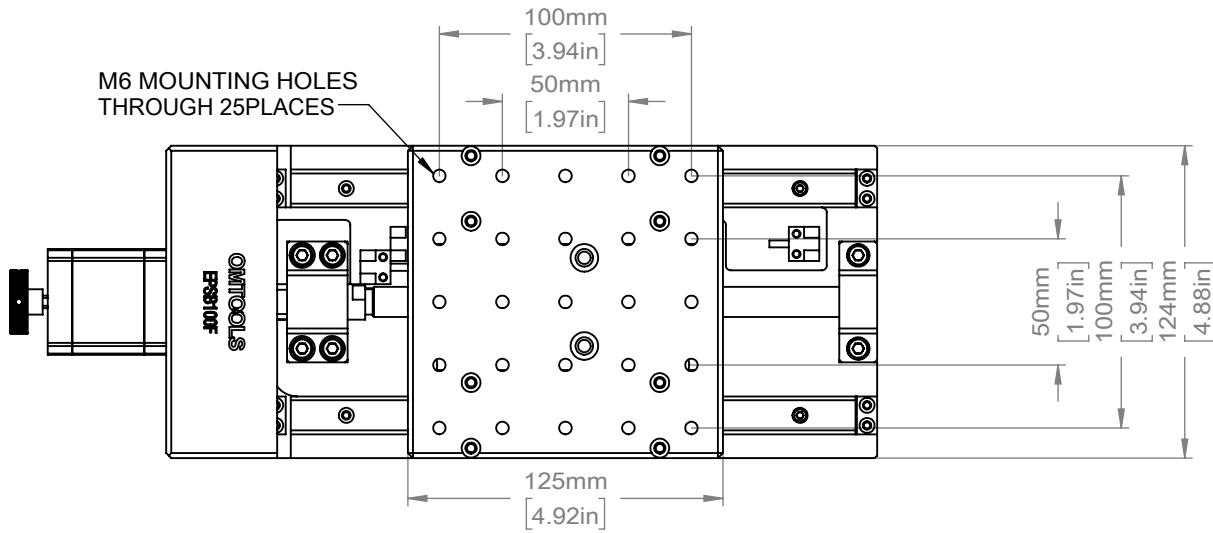


M6 MOUNTING HOLES THROUGH 25 PLACES



COUNTERBORE FOR #7(M6)
CAP SCREW 3 PLACES

DRAWING PROJECTION				OMTOOLS	
REV	A0				
DRAWN	HSY	WEIGHT	SCALE		
DATE	2020.07.10	kg	1:3		
FOR INFORMATION ONLY NOT FOR MANUFACTURING PURPOSES					