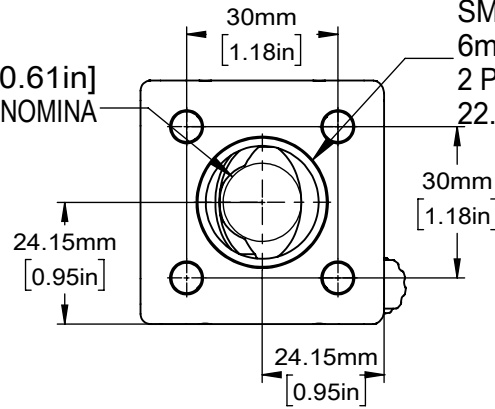
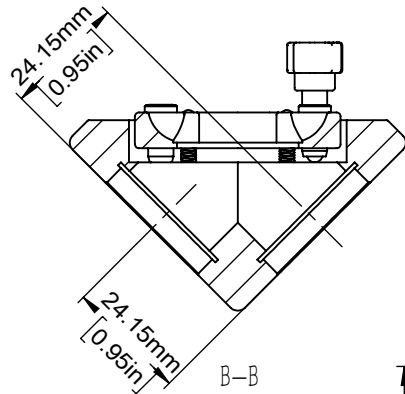


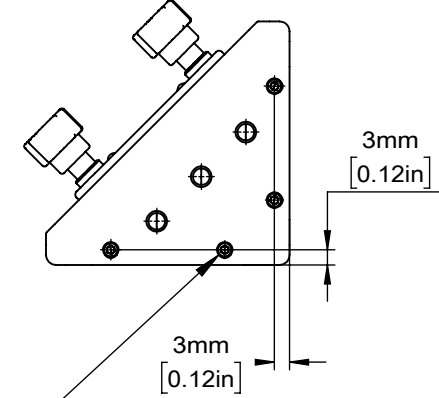
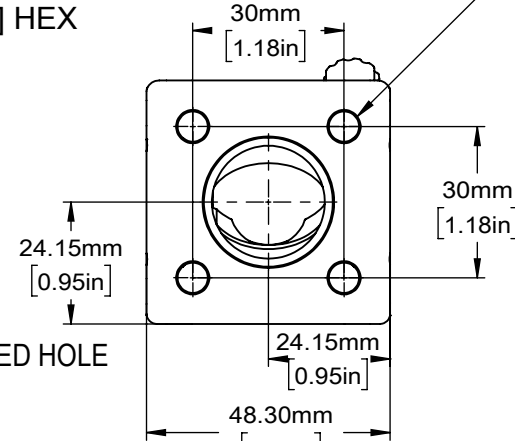
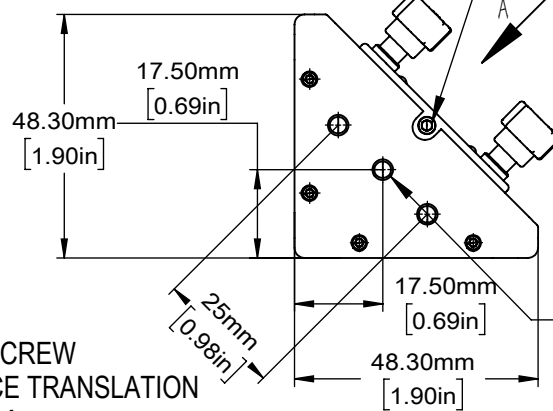
Ø 15.50mm [ 0.61in]  
CLEAR APERTURE NOMINA

SM1 ( 1.035-40) SERIES INTERNAL THREAD  
6mm [0.236in] DEEP  
2 PLACES TOTAL, 1 PER SIDE  
22.4mm [ 0.88in] CLEAR APERTURE



Ø 6.0mm [ 0.24in] CAGE ROD BORE  
5.8mm [0.23in] DEEP  
FOR USE WITH MOP SERIES RODS  
(NOT INCLUDED)  
8 PLACES TOTAL, 4 PER SIDE

NYLON-TIPPED SET SCREW  
FOR SECURING OF MOUNTED OPTIC  
2.0mm [5/64in] HEX

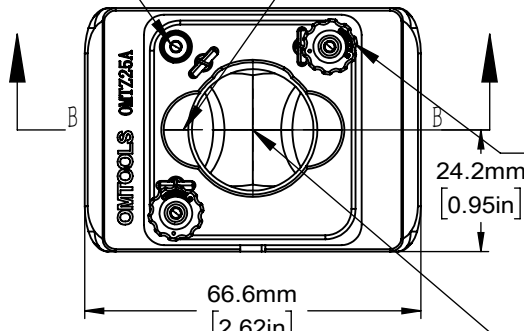


M5X0.25 ADJUSTER SCREW  
FOR MIRROR SURFACE TRANSLATION  
2.0mm [5/64in] HEX

M4X0.7 TAPPED HOLE  
5.5mm DEEP  
6 PLACES

LOCKING FOR 6mm ( 0.24in ) RODS  
1.5mm (0.06in) HEX  
4 PLACES

AIDS IN INSTALLATION/REMOVAL OF OPTICS



M5X0.25 ADJUSTER SCREWS  
PROVIDES +/-4° TOTAL ANGULAR DISPLACEMENT  
(0.25mm PER REVOLUTION)  
2 PLACES  
2.0mm [5/64in] HEX

MOUNTING DOUBLE-BORE ACCEPTS 25.4mm [1.00in]  
MINIMUM 3.0mm [0.12in] THICK OPTICS  
6mm [0.236in] DEEP  
24.1mm [0.95in] CLEAR APERTURE

视图 A  
45.00°

DRAWING PROJECTION		<b>OMTOOLS</b>	
REV	A0		
DRAWN	TODD	WEIGHT	SCALE
DATE	2020/7/24	0.12kg	2:3
FOR INFORMATION ONLY NOT FOR MANUFACTURING PURPOSES			