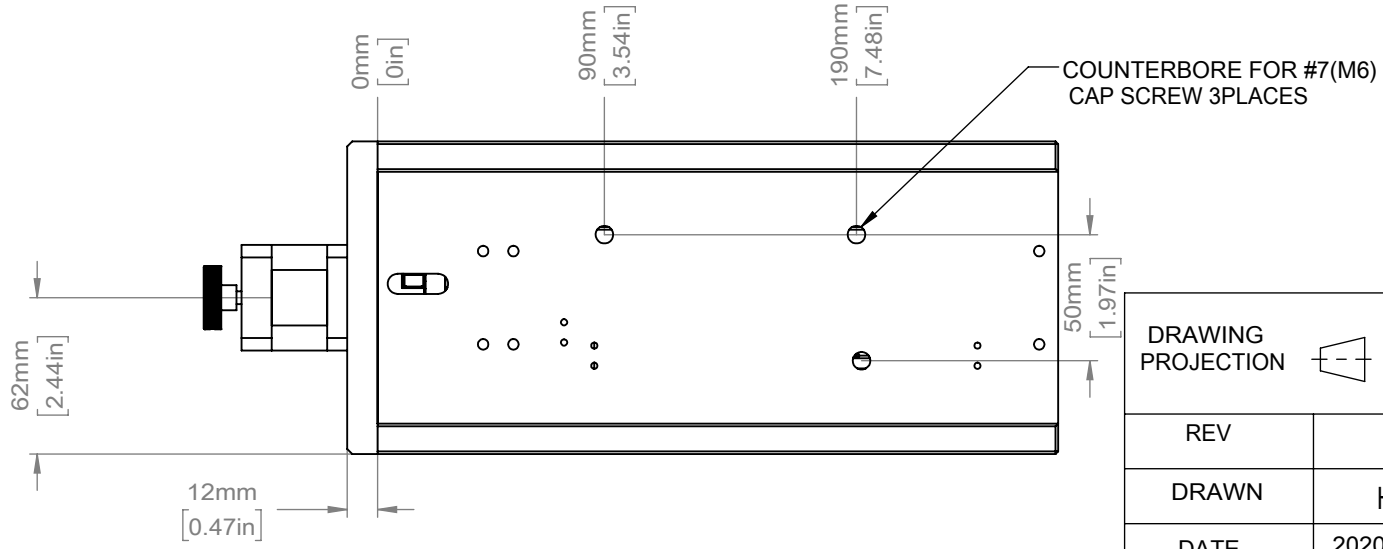
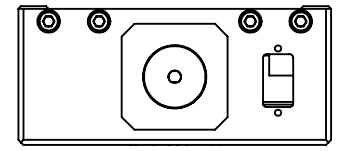
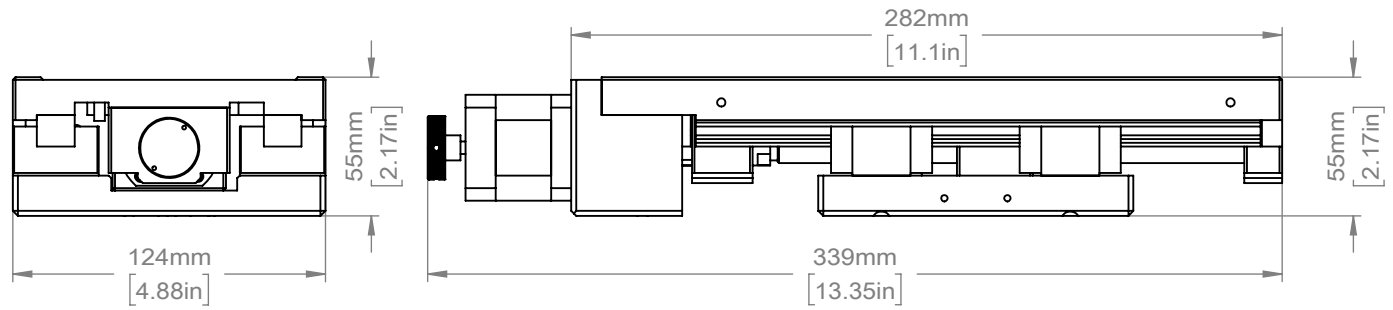
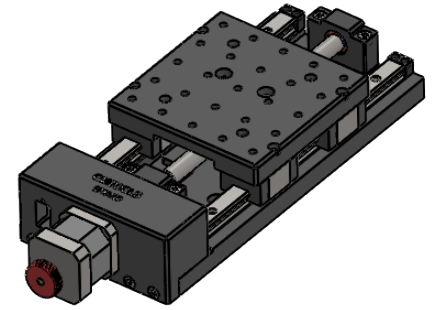
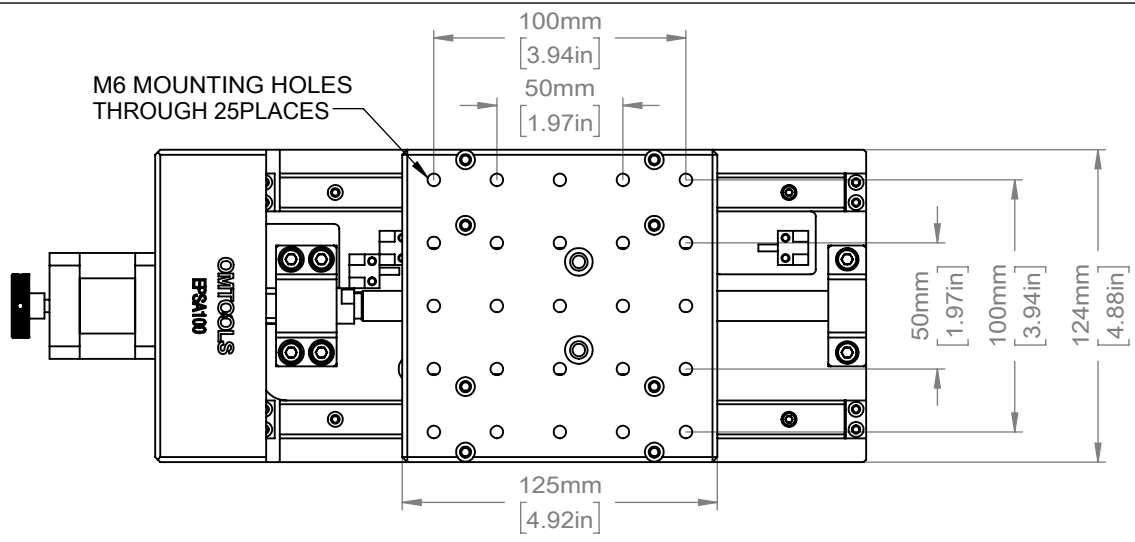


M6 MOUNTING HOLES THROUGH 25 PLACES



COUNTERBORE FOR #7 (M6) CAP SCREW 3 PLACES

DRAWING PROJECTION				<b>OMTOOLS</b>	
REV	A0				
DRAWN	HSY	WEIGHT	SCALE		
DATE	2020.07.10	kg	1:3		
FOR INFORMATION ONLY NOT FOR MANUFACTURING PURPOSES					