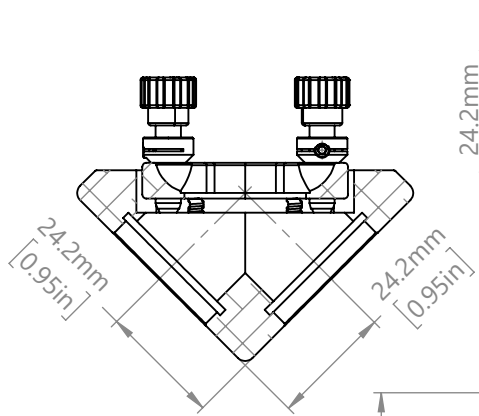
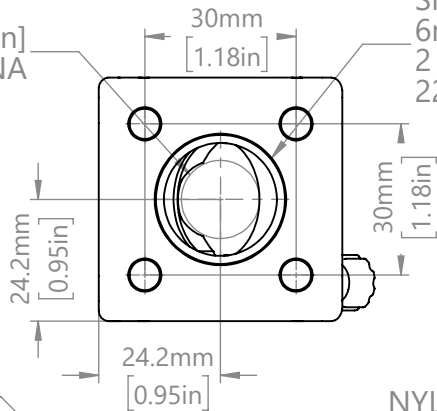


Ø 15.50mm [0.61in]
CLEAR APERTURE NOMINA

SM1 (1.035-40) SERIES INTERNAL THREAD
6mm [0.236in] DEEP
2 PLACES TOTAL, 1 PER SIDE
22.4mm [0.88in] CLEAR APERTURE

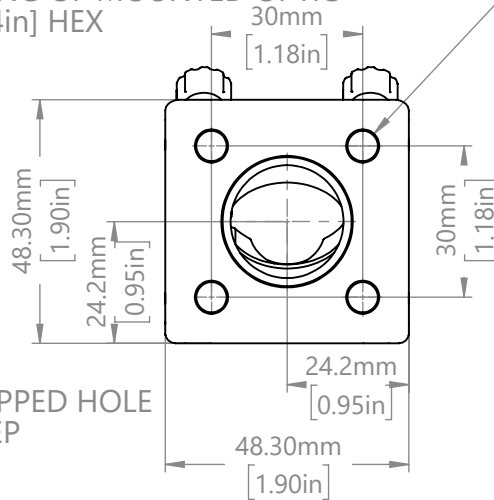
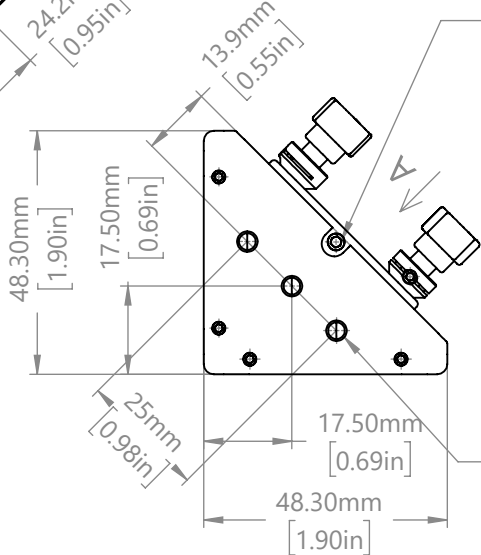


B-B



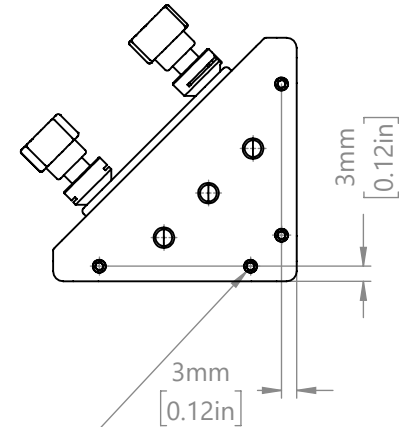
NYLON-TIPPED SET SCREW
FOR SECURING OF MOUNTED OPTIC
2.0mm [5/64in] HEX

Ø 6.0mm [0.24in] CAGE ROD BORE
5.8mm [0.23in] DEEP
FOR USE WITH MOP SERIES RODS
(NOT INCLUDED)
8 PLACES TOTAL, 4 PER SIDE



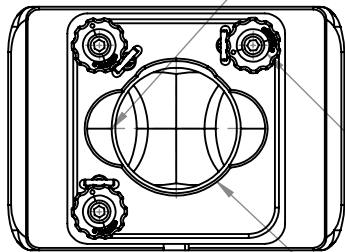
M4X0.7 TAPPED HOLE
5.5mm DEEP
6 PLACES

LOCKING FOR 6mm (0.24in) RODS
1.5mm (0.06in) HEX 4 PLACES



AIDS IN INSTALLATION/REMOVAL OF OPTICS

B



视图 A
45.00°

B

M5X0.25 ADJUSTER SCREWS
PROVIDES +/-4° TOTAL ANGULAR DISPLACEMENT
(0.25mm PER REVOLUTION)
3 PLACES
2.0mm [5/64in] HEX

MOUNTING DOUBLE-BORE ACCEPTS 25.4mm [1.00in]
MINIMUM 3.0mm [0.12in] THICK OPTICS
6mm [0.236in] DEEP
24.1mm [0.95in] CLEAR APERTURE

| | | | | | |
|--------------------|-----------|--|--|------------------|-------|
| DRAWING PROJECTION | | | | <h1>OMTOOLS</h1> | |
| REV | A0 | OMTZ25AS | | | |
| DRAWN | TODD | 30MM同轴带锁死三维直角调整架 | | WEIGHT | SCALE |
| DATE | 2022/9/21 | FOR INFORMATION ONLY NOT FOR MANUFACTURING PURPOSES | | 0.15kg | 2:3 |