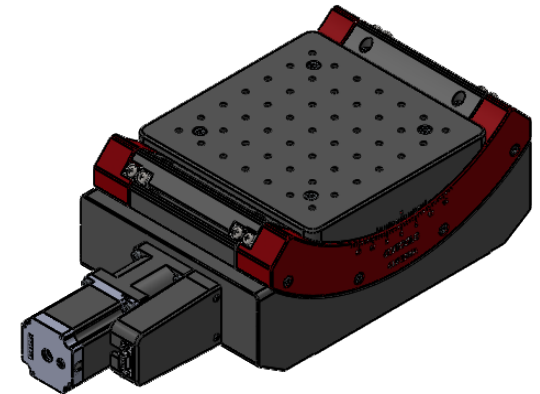
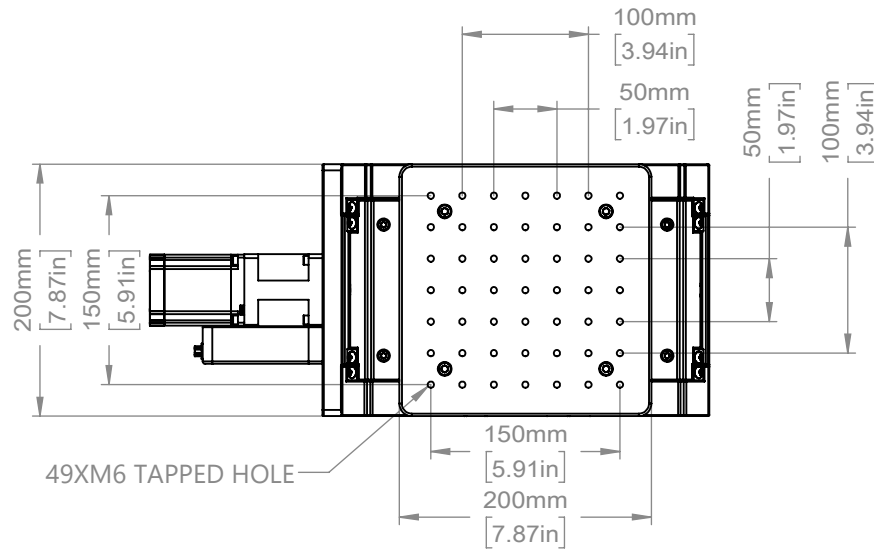
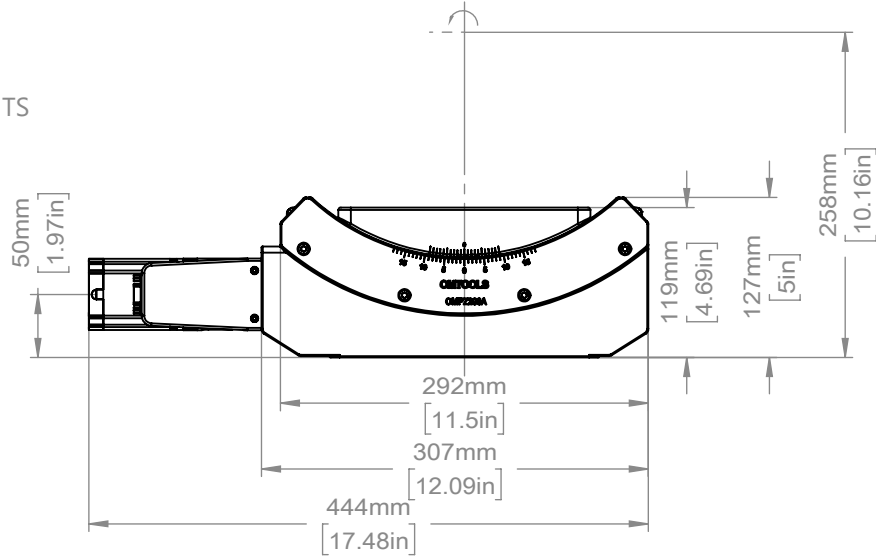
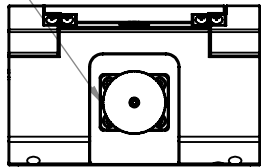


Ø 50KNURLING ADJUSTMENT KONB  
DO NOT SCREW/UNSCREW PAST EXTENTS



DRAWING PROJECTION				<b>OMTOOLS</b>	
REV	A0	OMPZ200A			
DRAWN	HSY			WEIGHT	SCALE
DATE	2021/12/2	24.5kg	1:6		
FOR INFORMATION ONLY NOT FOR MANUFACTURING PURPOSES					