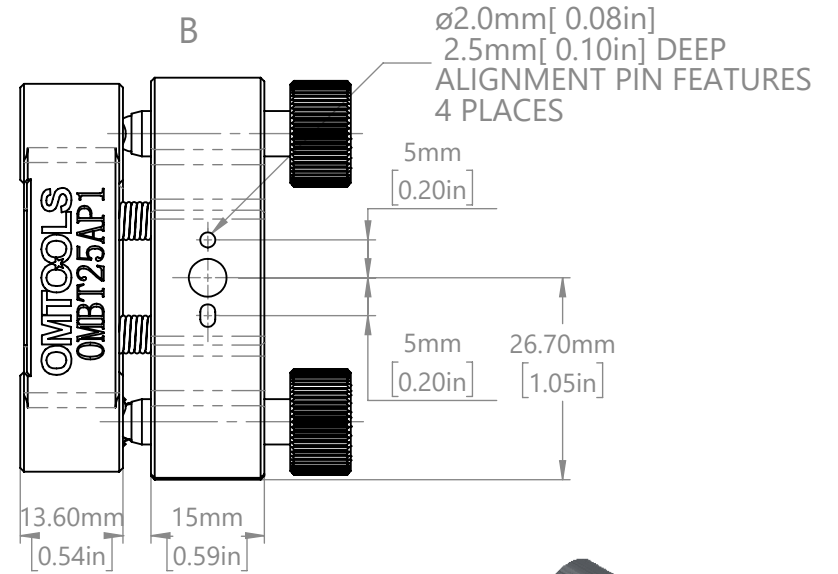
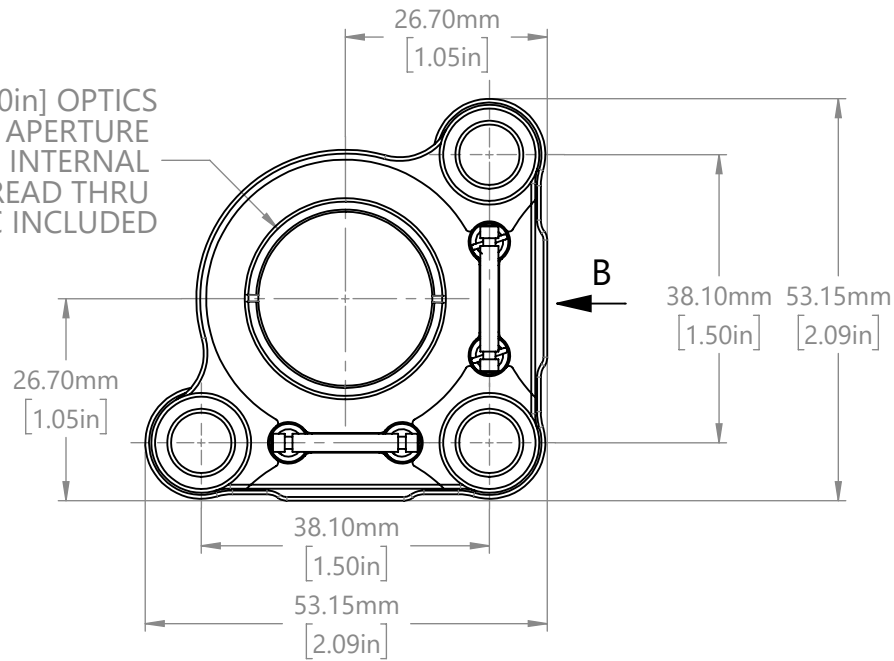
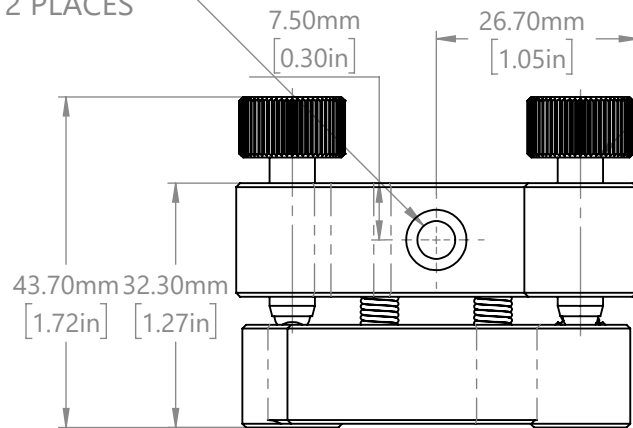


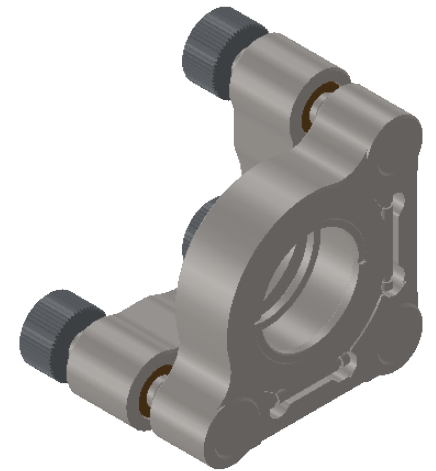
ACCEPTS $\varnothing 25.4\text{mm}$ [1.00in] OPTICS
 $\varnothing 22.8\text{mm}$ [0.9in] CLEAR APERTURE
 SM1 (1.035-40) SERIES INTERNAL
 THREAD THRU
 2 PCS GYKH25C INCLUDED



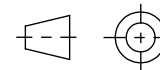
M4 COUNTERBORE
 2 PLACES



M6X0.25 ADJUSTER SCREWS
 PROVIDES $\pm 4^\circ$ TOTAL ANGULAR
 DISPLACEMENT (0.4° PER REV-
 OLUTION) 3 PLACES
 2.0mm [5/64in] HEX



DRAWING
 PROJECTION



OMTOOLS

REV

A0

OMBT25AP1 不锈钢光学调整架

DRAWN

TODD

DATE

2023/12/12

WEIGHT

SCALE

FOR INFORMATION ONLY
 NOT FOR MANUFACTURING PURPOSES

0.30kg

1:1