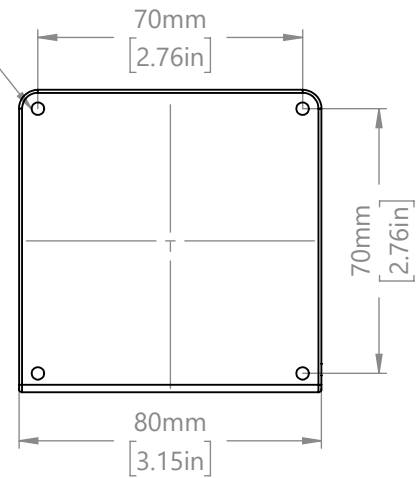
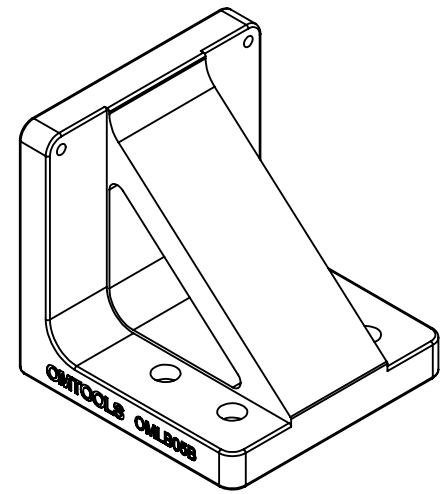
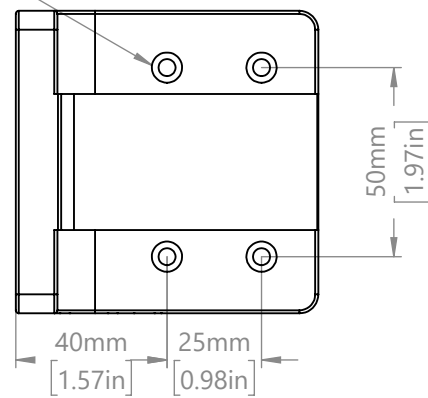


M4 MOUNTING HOLES THROUGH 4 PLACES



COUNTER BORE FOR M4 CAP SCREW 4 PLACES



DRAWING PROJECTION					
REV	A0	OMLB05B			
DRAWN	TODD			WEIGHT	SCALE
DATE	2021/5/20	0.46kg	1:2		
FOR INFORMATION ONLY NOT FOR MANUFACTURING PURPOSES					