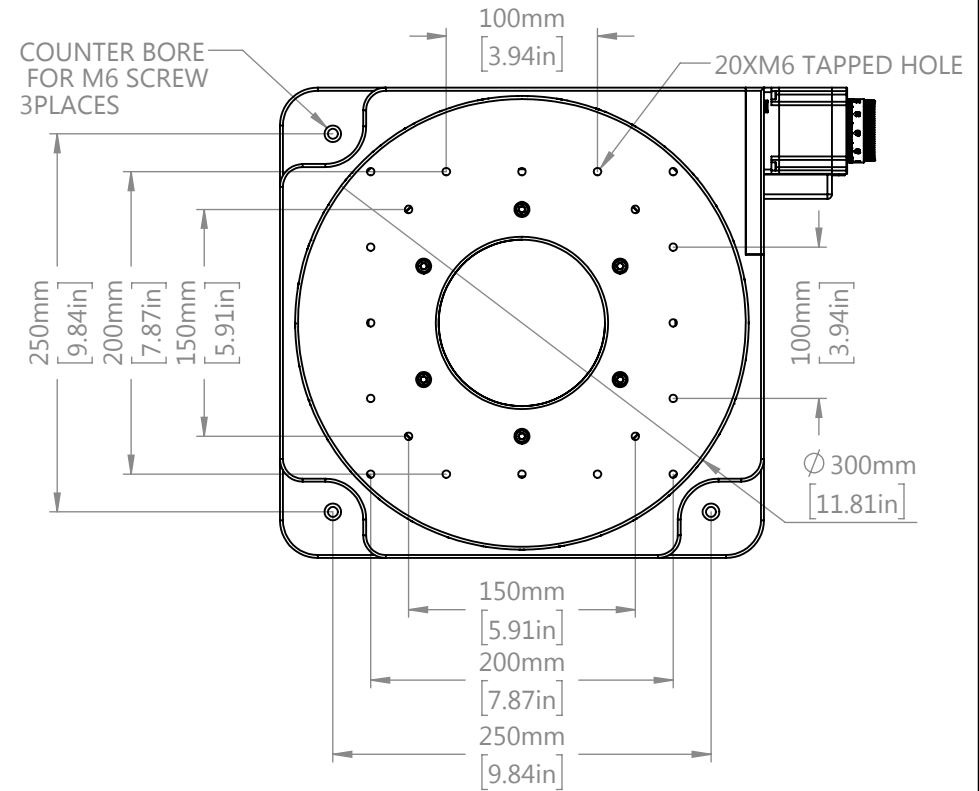
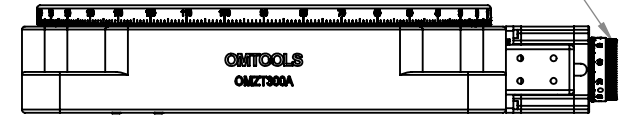
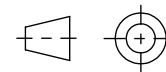


Ø 40KNURLING ADJUSTMENT KONB
DO NOT SCREW/UNSCREW PAST EXTENTS



DRAWING
PROJECTION



OMTOOLS

REV

A0

OMZT300A

DRAWN

HSY

DATE

2021/4/13

WEIGHT

SCALE

FOR INFORMATION ONLY
NOT FOR MANUFACTURING PURPOSES

12.93kg

1:5