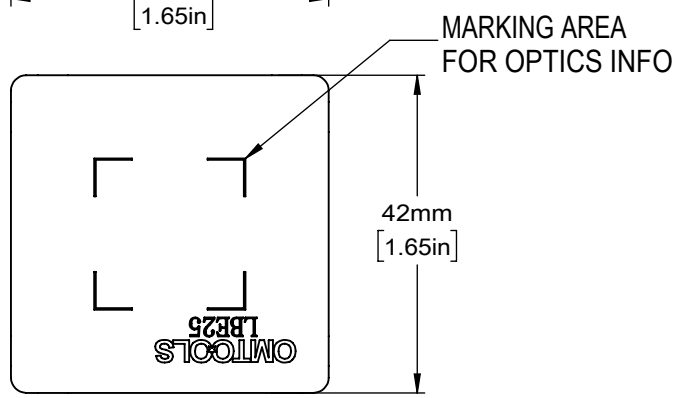


MOUNTING DOUBLE-BORE ACCEPTS 25.4mm [1.00in]  
MINIMUM 3.0mm [0.118in] THICK OPTICS  
4.0mm [0.157in] DEEP  
23.5mm [0.925in] CLEAR APERTURE



DRAWING PROJECTION		<b>OMTOOLS</b>	
REV	A0	LBE25	
DRAWN	TODD		
DATE	2020/7/24	WEIGHT	SCALE
FOR INFORMATION ONLY NOT FOR MANUFACTURING PURPOSES		0.08kg	1:1