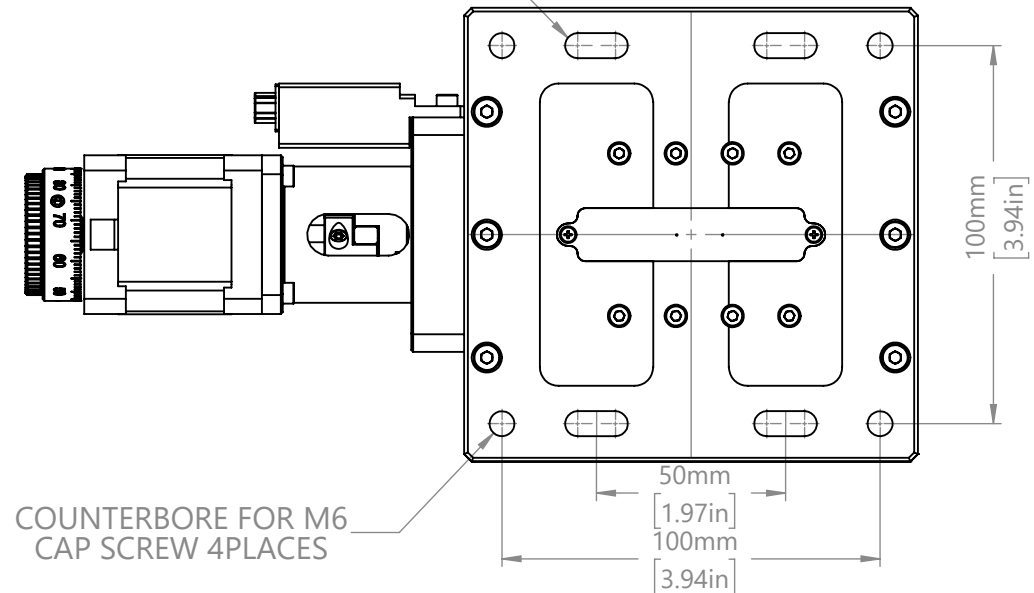
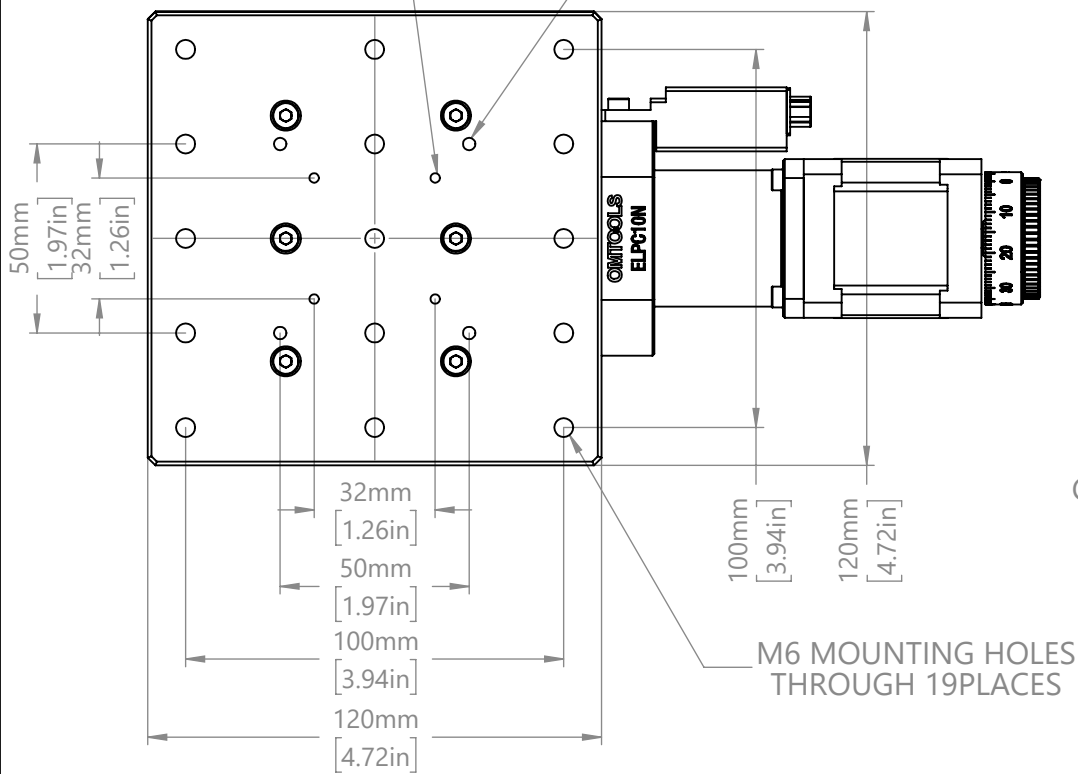


M3 MOUNTING HOLES THROUGH 4PLACES

M4 MOUNTING HOLES THROUGH 4PLACES

COUNTERBORE FOR M6 CAP SCREW 4PLACES

BOTTOM VIEW



DRAWING PROJECTION					
REV	A0	ELPC10N 电动升降台			
DRAWN	TODD			WEIGHT	SCALE
DATE	2023/3/10	3.611kg	1:2		
FOR INFORMATION ONLY NOT FOR MANUFACTURING PURPOSES					