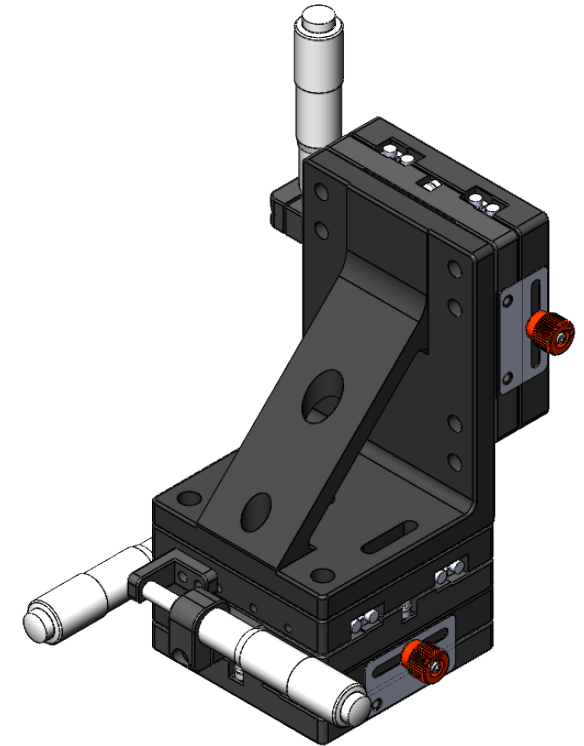
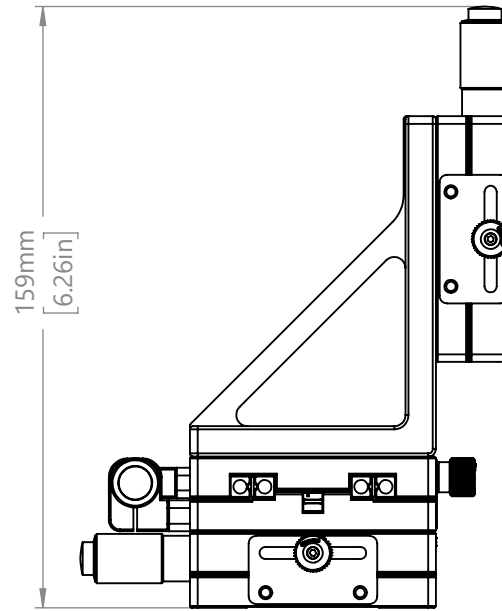
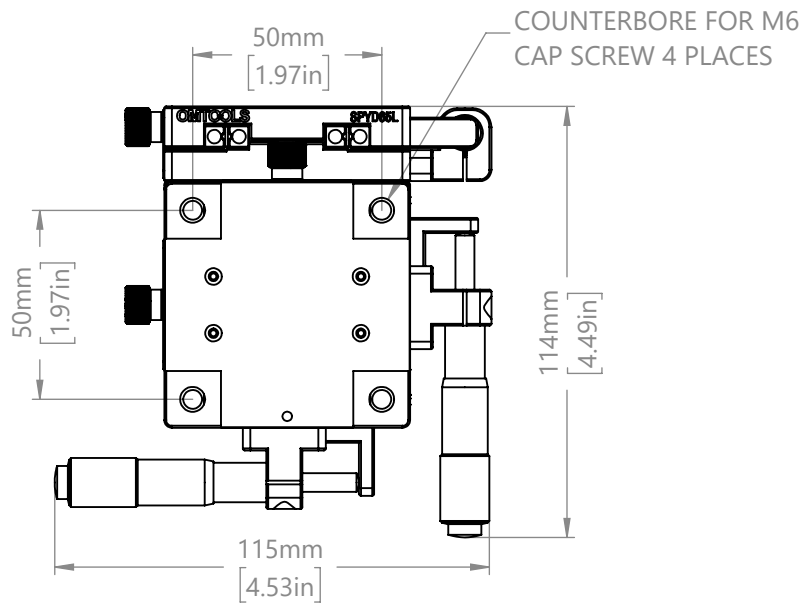
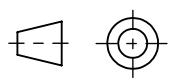


TOP VIEW



| | | | |
|--|-----------|----------------|-------|
| DRAWING PROJECTION  | | OMTOOLS | |
| REV | A0 | | |
| DRAWN | TODD | WEIGHT | SCALE |
| DATE | 2021/6/11 | 0.75kg | 1:2 |
| FOR INFORMATION ONLY NOT FOR MANUFACTURING PURPOSES | | | |