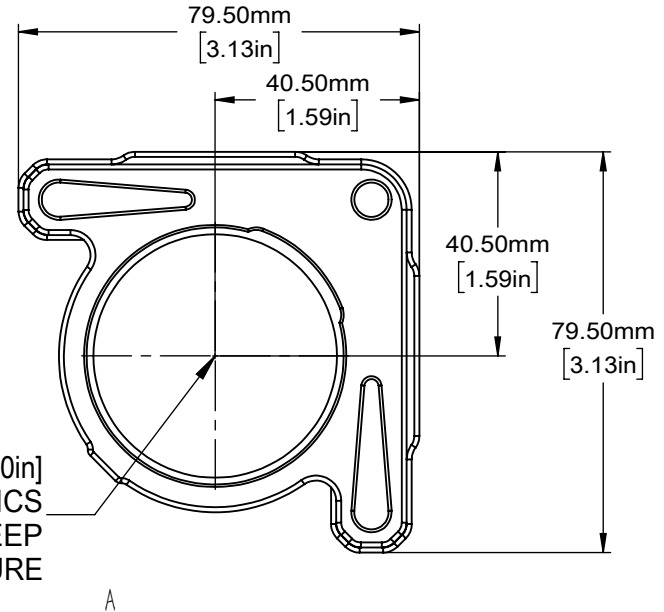


MOUNTING DOUBLE-BORE ACCEPTS 50.8mm [2.00in]
MINIMUM 4.0mm [0.157in] THICK OPTICS
5.8mm [0.23in] DEEP
48.3mm [1.9in] CLEAR APERTURE



DRAWING PROJECTION		OMTOOLS	
REV	A0	OMR50A	
DRAWN	TODD	WEIGHT	SCALE
DATE	2020/7/24	0.11kg	2:3
FOR INFORMATION ONLY NOT FOR MANUFACTURING PURPOSES			