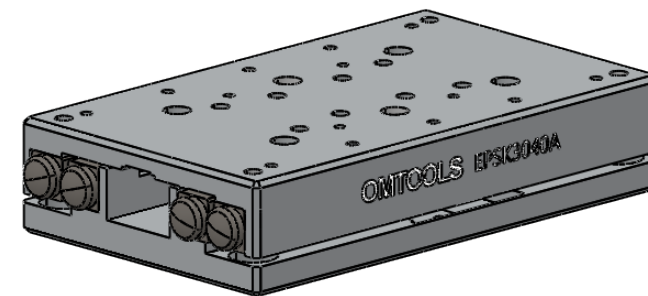


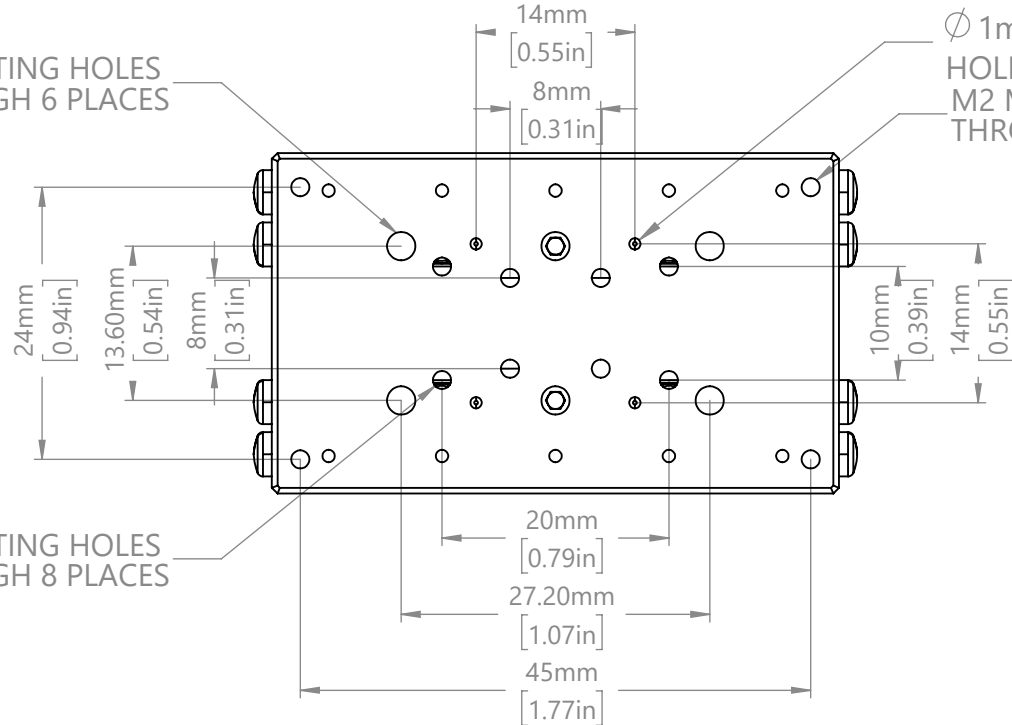
COUNTERBORE FOR M2 CAP SCREW 4 PLACES

Ø 1mm ALIGNMENT PIN HOLES 6 PLACES

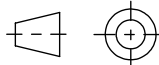



M3 MOUNTING HOLES THROUGH 6 PLACES

Ø 1mm ALIGNMENT PIN HOLES 4 PLACES  
M2 MOUNTING HOLES THROUGH 4 PLACES



M2 MOUNTING HOLES THROUGH 8 PLACES

DRAWING PROJECTION					
REV	A0	EPSK3040A 线性压电位移台			
DRAWN	TODD			WEIGHT	SCALE
DATE	2023/6/14	0.06kg	1.5:1		
FOR INFORMATION ONLY NOT FOR MANUFACTURING PURPOSES					