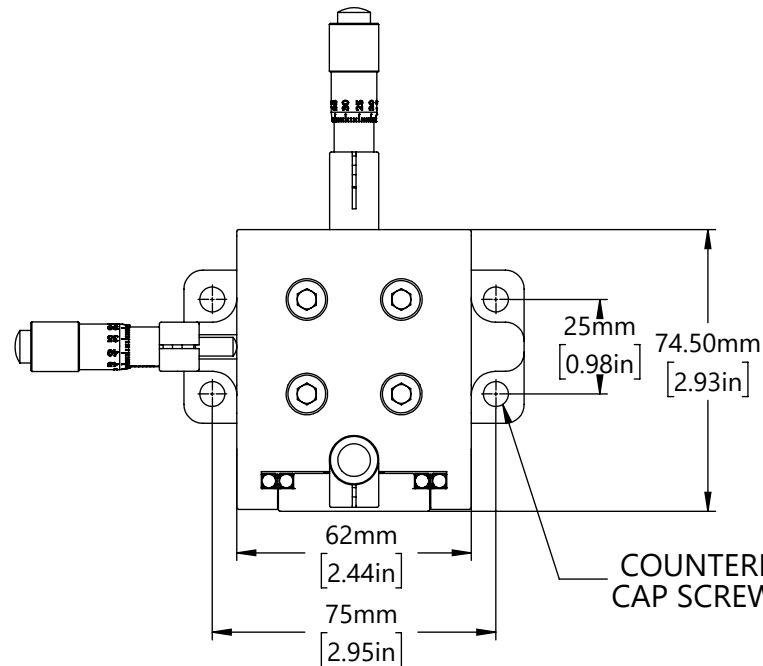
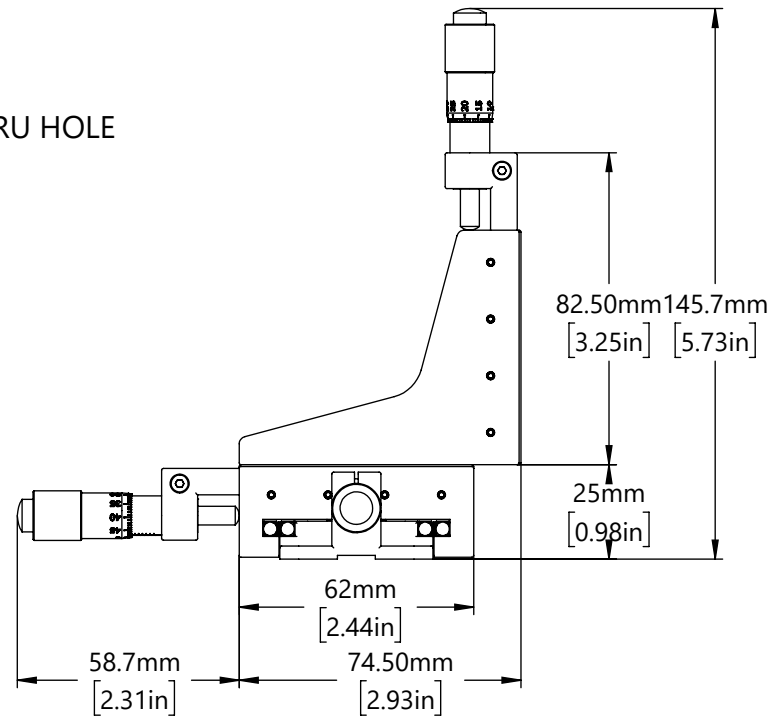


M6 MOUNTING THRU HOLE
7 PLACES



COUNTERBORE FOR M6
CAP SCREW 4 PLACES

DRAWING PROJECTION				<h1>OMTOOLS</h1>	
REV	A0	<p>OMYE62D</p>			
DRAWN	TODD			WEIGHT	SCALE
DATE	2023/1/28	0.68kg	1:2		
FOR INFORMATION ONLY NOT FOR MANUFACTURING PURPOSES					