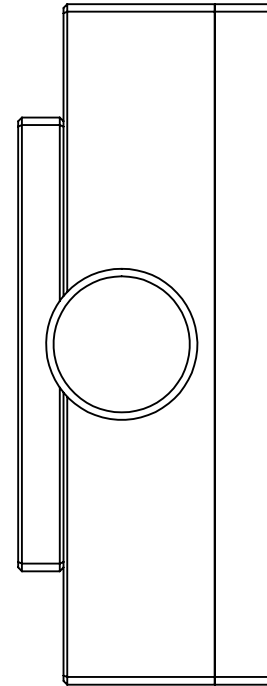
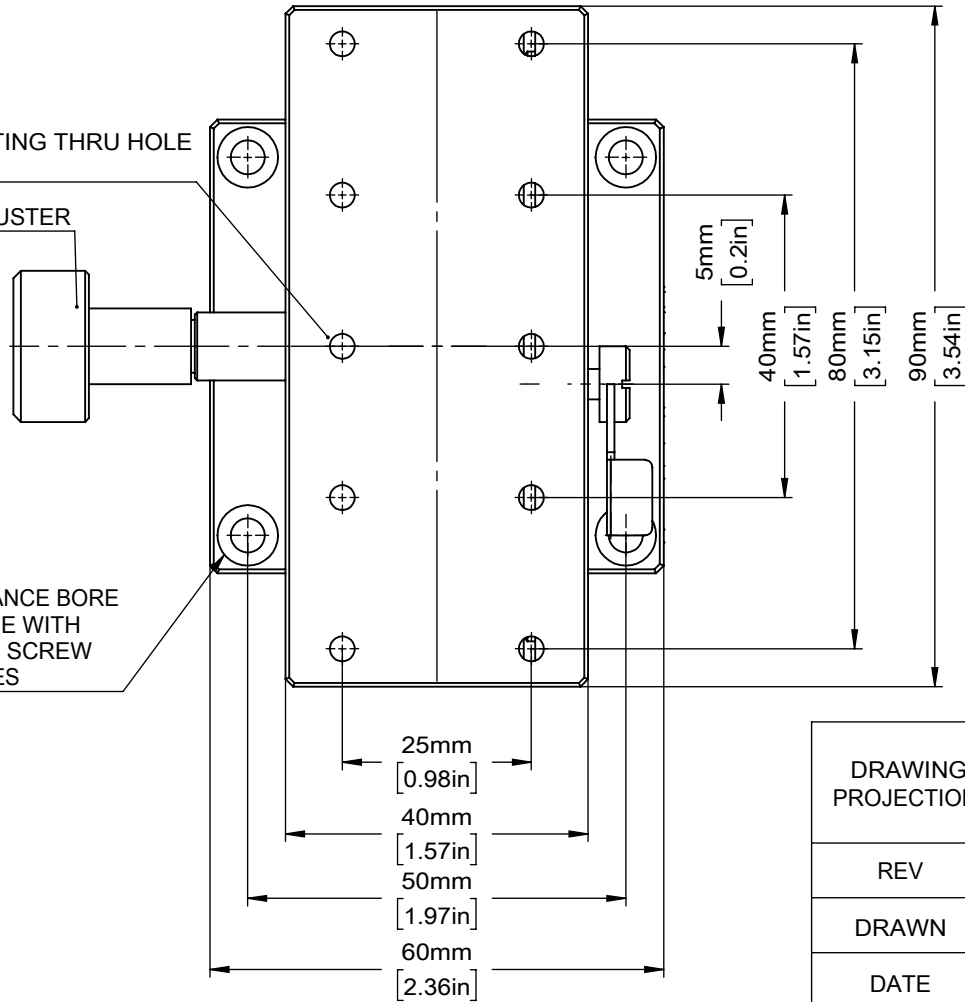


M4 X 0.7 MOUNTING THRU HOLE
4 PLACES

MAS20 FINE ADJUSTER

CLEARANCE BORE
FOR USE WITH
M4 CAP SCREW
4 PLACES



DRAWING PROJECTION				OMTOOLS	
REV	A0				
DRAWN	HSY	SPYC4090		WEIGHT	SCALE
DATE	2020/7/28	kg	1:1	FOR INFORMATION ONLY NOT FOR MANUFACTURING PURPOSES	