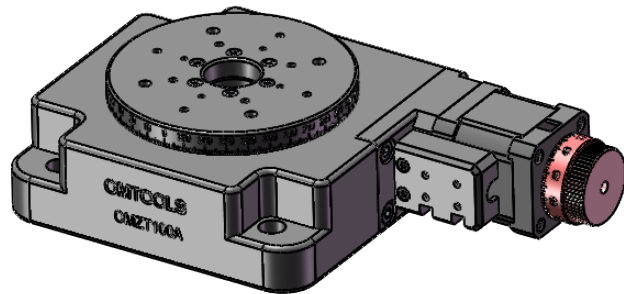
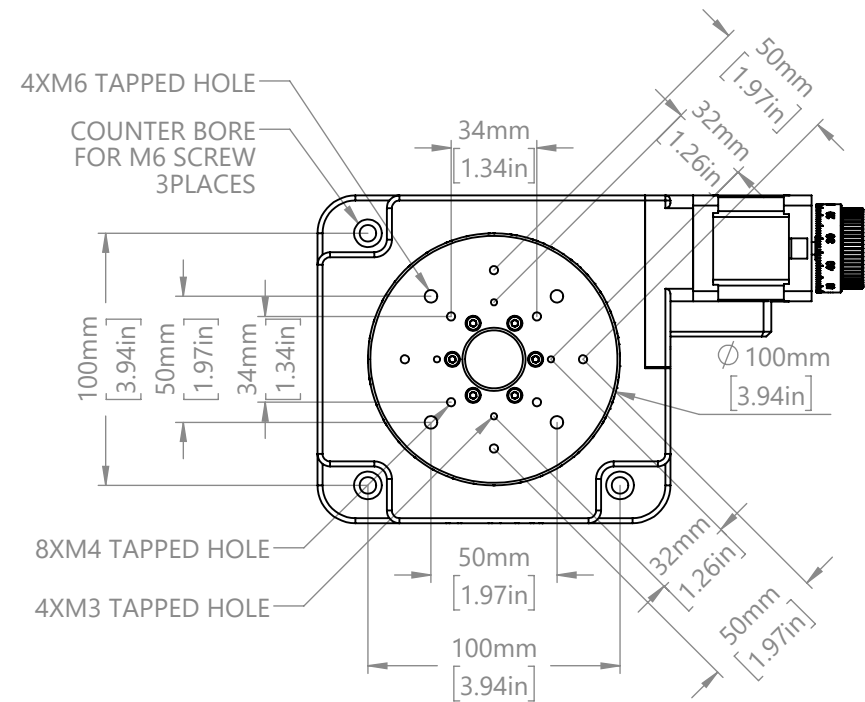
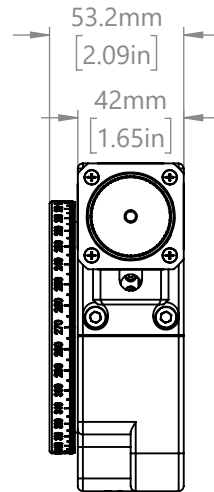
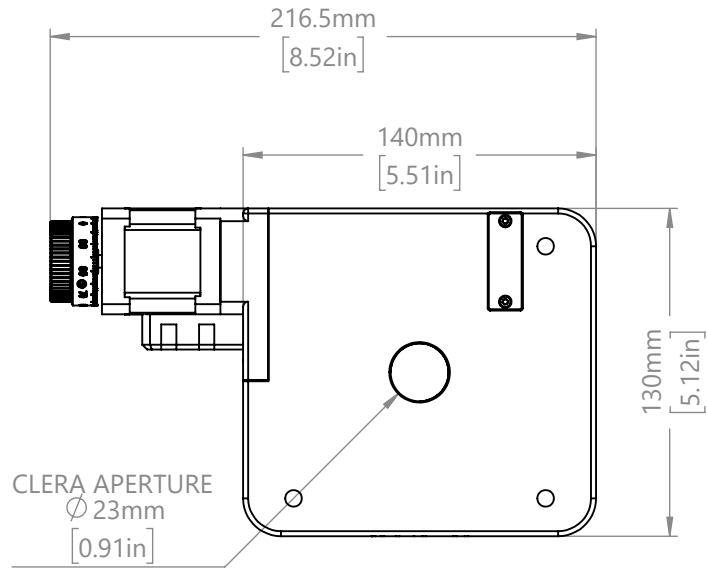
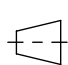



Ø 32KNURLING ADJUSTMENT KONB
DO NOT SCREW/UNSCREW PAST EXTENTS



DRAWING PROJECTION		 		<h1>OMTOOLS</h1>	
REV	A0	OMZT100A			
DRAWN	HSY			WEIGHT	SCALE
DATE	2021/11/11	2.64kg	1:3		
FOR INFORMATION ONLY NOT FOR MANUFACTURING PURPOSES					