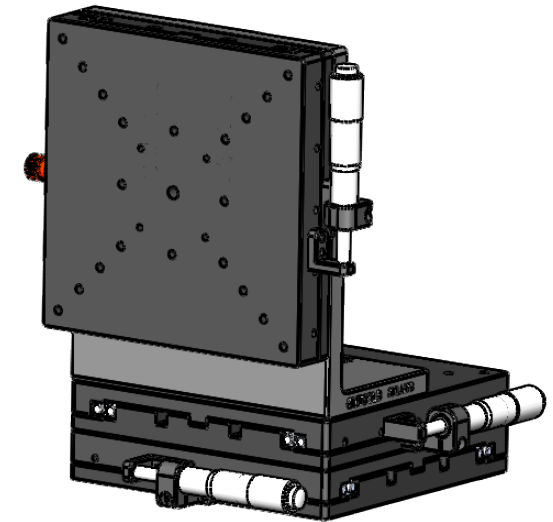
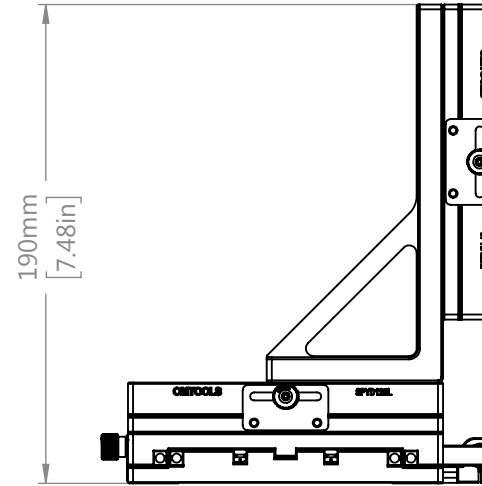
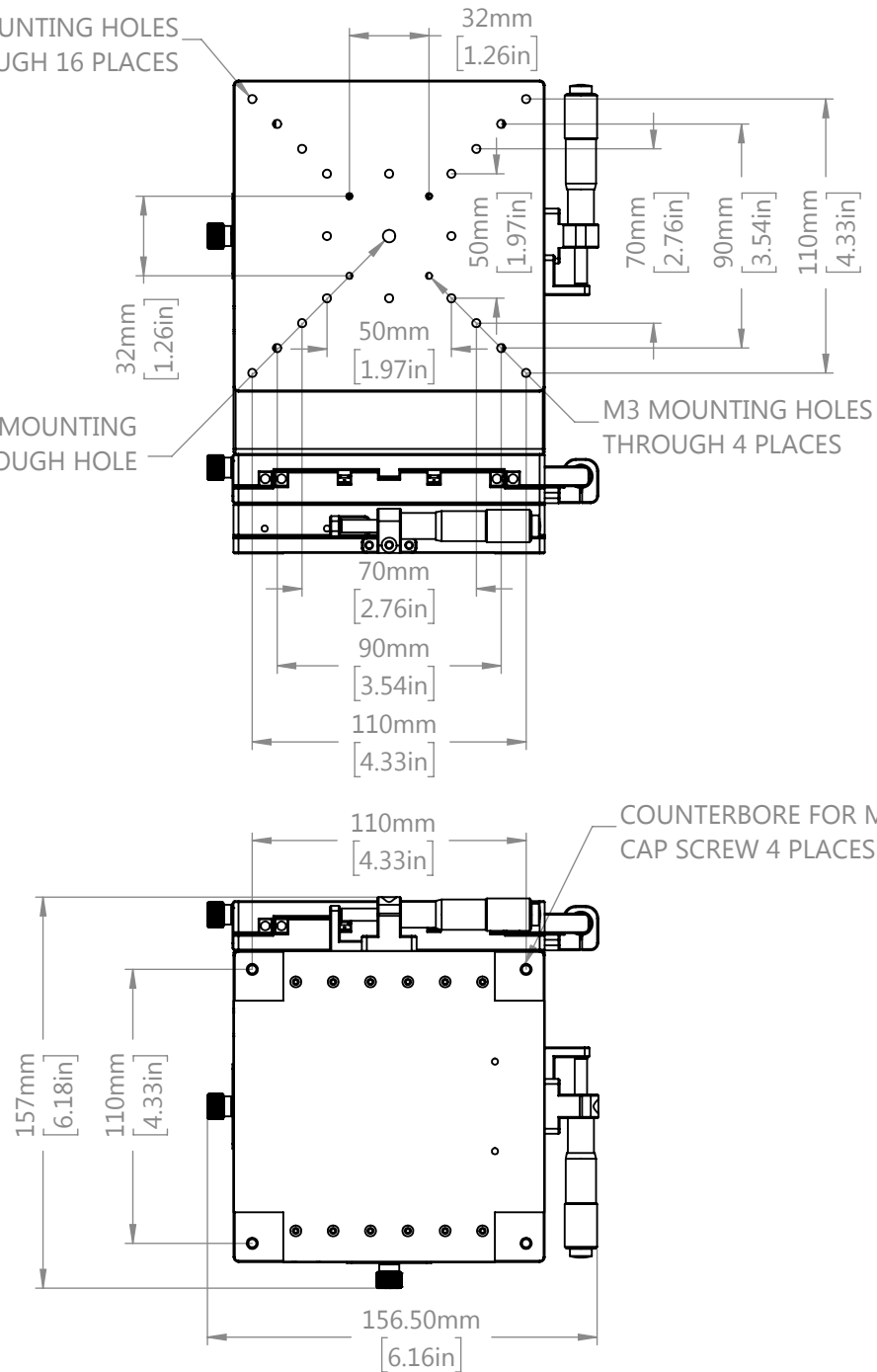


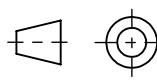
M4 MOUNTING HOLES THROUGH 16 PLACES

M6 MOUNTING THROUGH HOLE

M3 MOUNTING HOLES THROUGH 4 PLACES

COUNTERBORE FOR M4 CAP SCREW 4 PLACES



DRAWING PROJECTION 		OMTOOLS	
REV	A0		
DRAWN	TODD	WEIGHT	SCALE
DATE	2021/6/11	3.8kg	1:3
FOR INFORMATION ONLY NOT FOR MANUFACTURING PURPOSES			