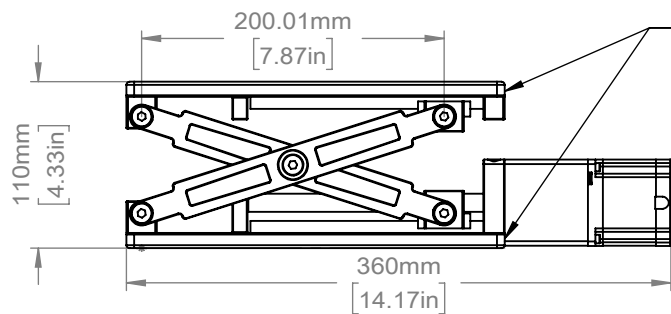
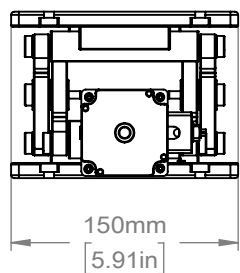
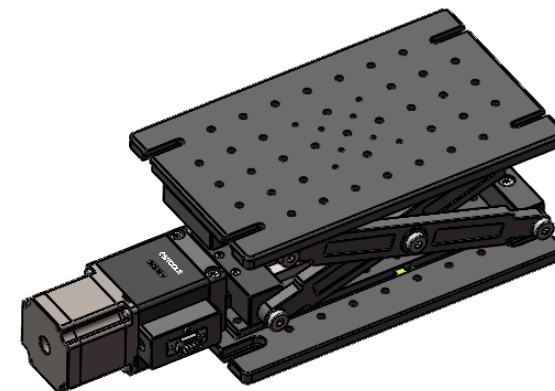
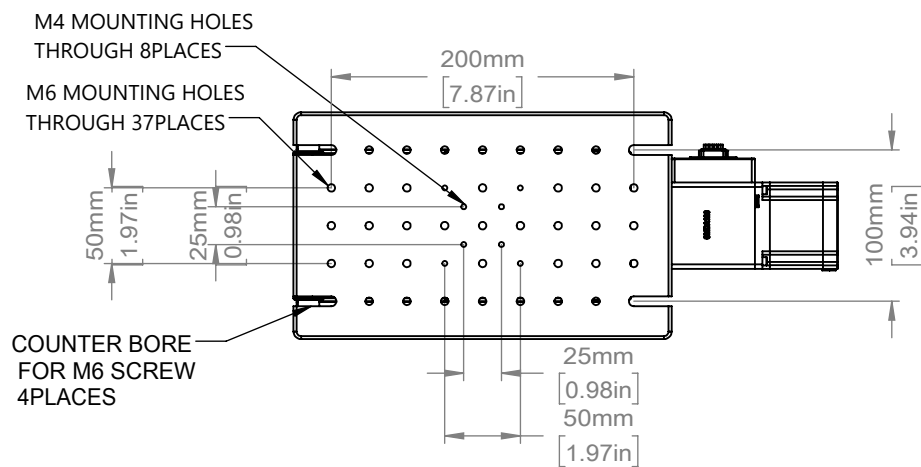


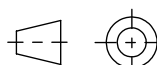
FULLY EXTENDED



FULLY RETRACTED

PLATES HAVE IDENTICAL HOLE PATTERNS



DRAWING PROJECTION		 OMTOOLS	
REV	A0		
DRAWN	HSY	WEIGHT	SCALE
DATE	2020.07.22	2.830kg	1:5
FOR INFORMATION ONLY NOT FOR MANUFACTURING PURPOSES			