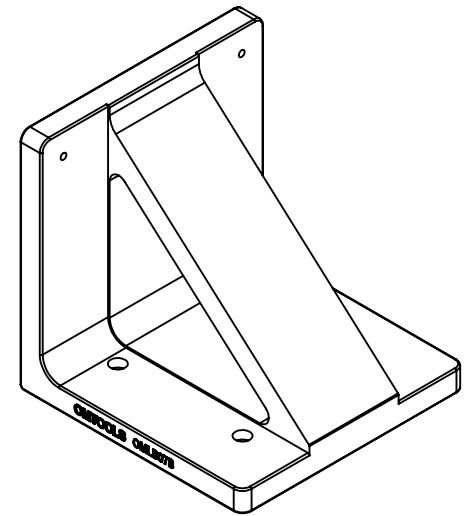
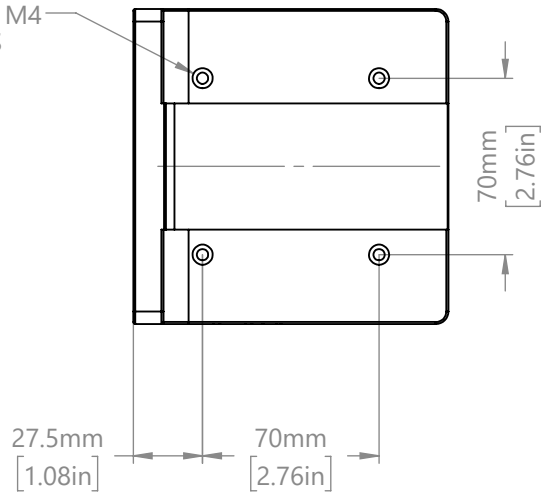
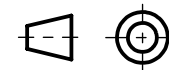


COUNTER BORE FOR M4
CAP SCREW 4PLACES



DRAWING
PROJECTION



OMTOOLS

REV	A0	OMLB07B	
DRAWN	TODD		
DATE	2021/5/20	WEIGHT	SCALE
FOR INFORMATION ONLY NOT FOR MANUFACTURING PURPOSES		1.23kg	1:2