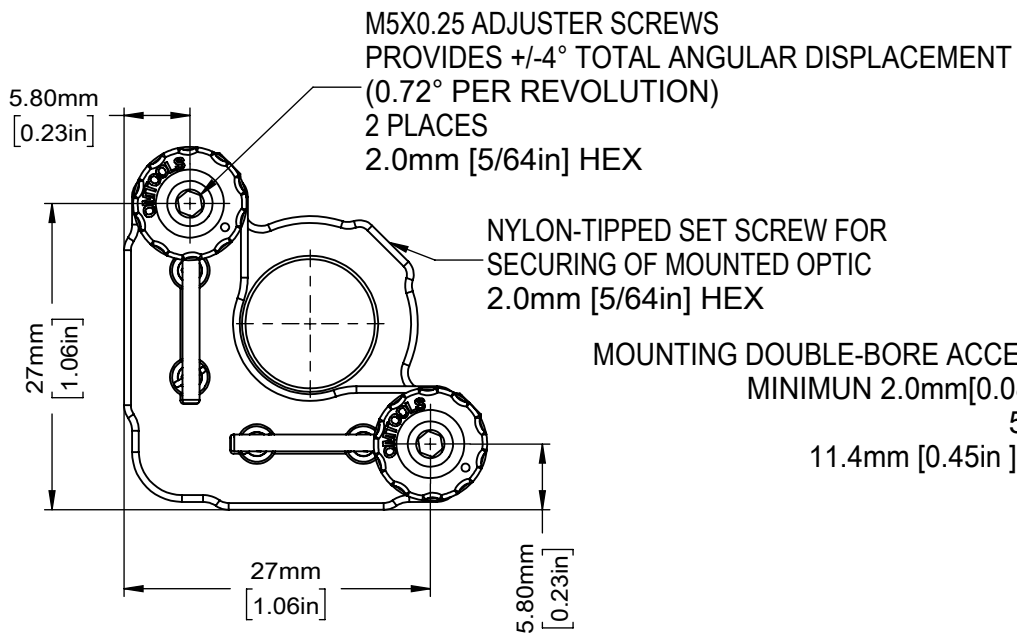
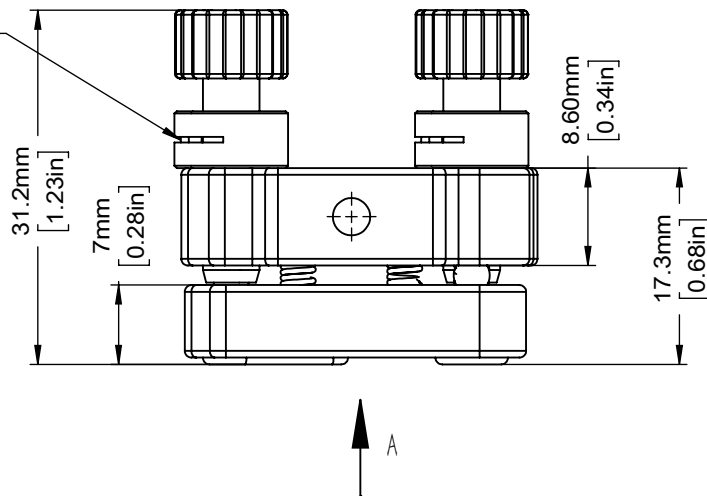
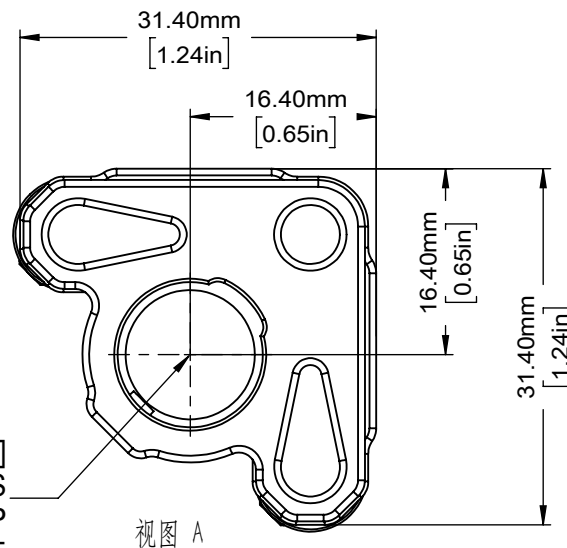


ADJUSTER LOCKING SCREW
1.5mm HEX 2 PLACES



MOUNTING DOUBLE-BORE ACCEPTS 12.7mm [0.50in]
MINIMUM 2.0mm [0.08in] THICK OPTICS
5.2mm [0.2in] DEEP
11.4mm [0.45in] CLEAR APERTURE



DRAWING PROJECTION

OMTOOLS

REV

A0

OMR12AS
精密O型带锁死二维光学调整架
封闭式顶丝式

DRAWN

TODD

DATE

2022/9/14

WEIGHT

SCALE

FOR INFORMATION ONLY
NOT FOR MANUFACTURING PURPOSES

0.03kg

3:2