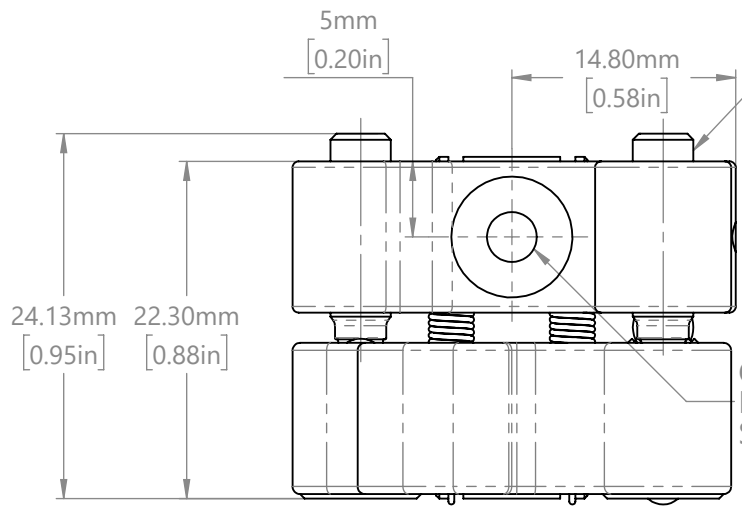
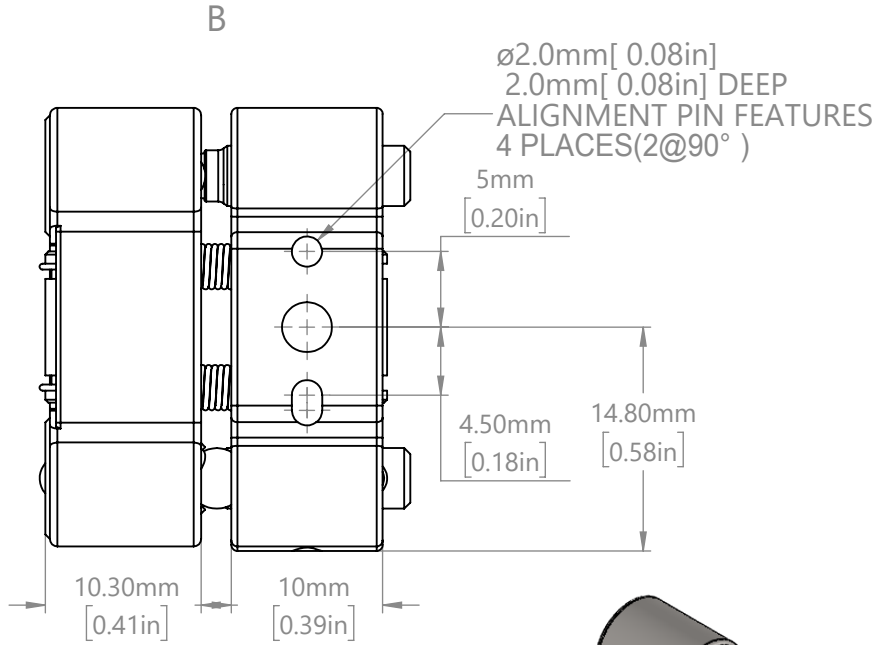
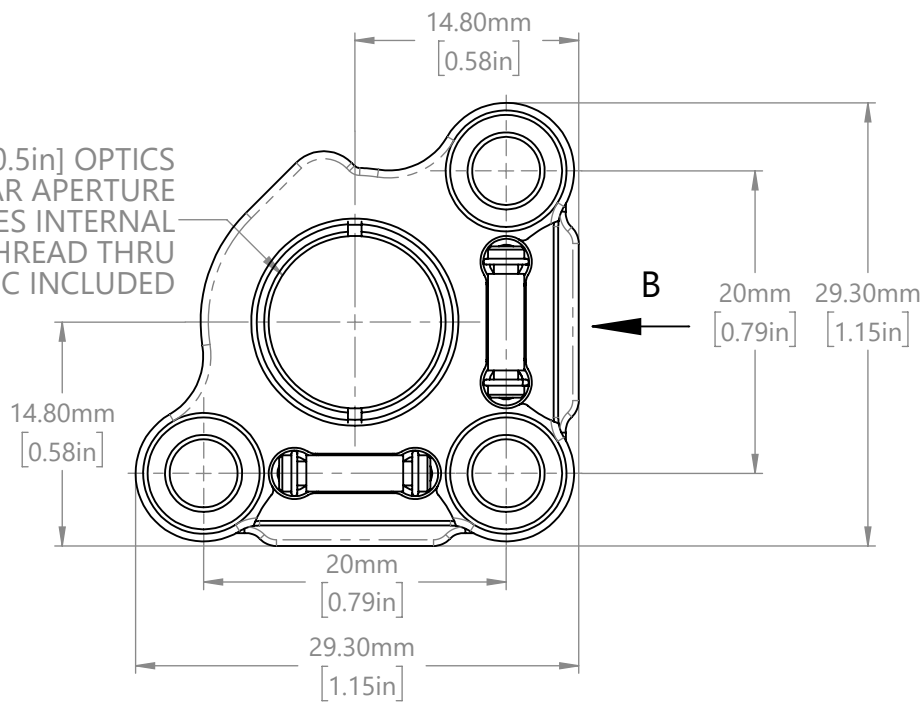
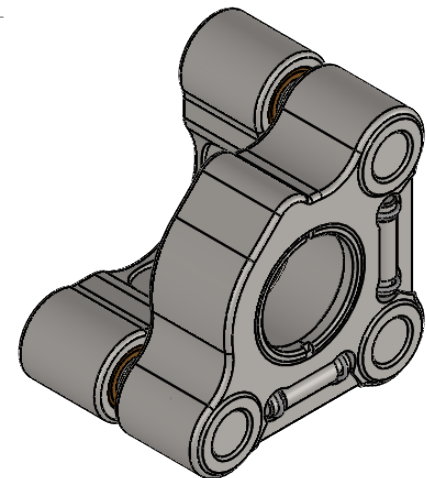


ACCEPTS $\varnothing 12.7\text{mm}$ [0.5in] OPTICS
 $\varnothing 11.4\text{mm}$ [0.45in] CLEAR APERTURE
 SM05 (0.535-40) SERIES INTERNAL
 THREAD THRU
 2 PCS GYKH12C INCLUDED



M4X0.2 ADJUSTER SCREWS
 PROVIDES $\pm 5^\circ$ TOTAL ANGULAR
 DISPLACEMENT (0.65° PER REV-
 OLUTION) 2 PLACES
 2.0mm [5/64in] HEX

COUNTERBORED MOUNTING
 HOLE FOR USE WITH M4 CAP
 SCREW 2 PLACES@ 90°



DRAWING PROJECTION					
REV	A0	OMBT12BP1 不锈钢光学调整镜架			
DRAWN	TODD			WEIGHT	SCALE
DATE	2023/12/11	0.06kg	2:1		
FOR INFORMATION ONLY NOT FOR MANUFACTURING PURPOSES					