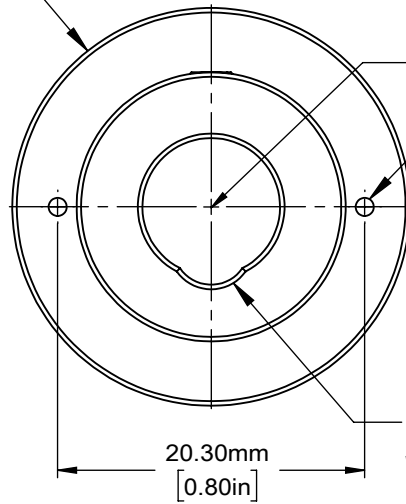


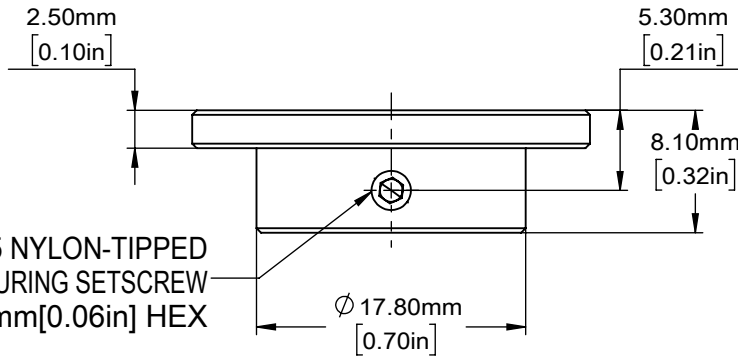
SM1 ( 1.035"-40 )  
EXTERNAL THREADS



Ø 9.1mm [0.36in]  
CLEARANCE HOLE

2 X 1.2mm [0.05in] HOLES

DOUBLE BORE  
PROVIDING 3 POINTS CONTACT  
WITH NYLON-TIPPED SETSCREWS



M3x0.5 NYLON-TIPPED  
SECURING SETSCREW  
1.5mm [0.06in] HEX

DRAWING PROJECTION 

**OMTOOLS**

REV A0

FZ1SM9

DRAWN TODD

DATE 2020/7/23

WEIGHT

SCALE

FOR INFORMATION ONLY  
NOT FOR MANUFACTURING PURPOSES

0.01kg

2:1