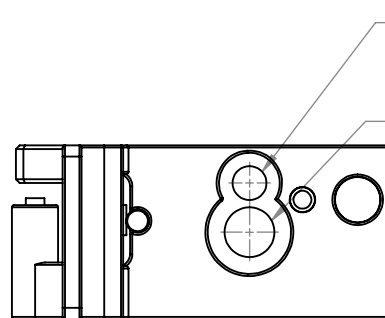
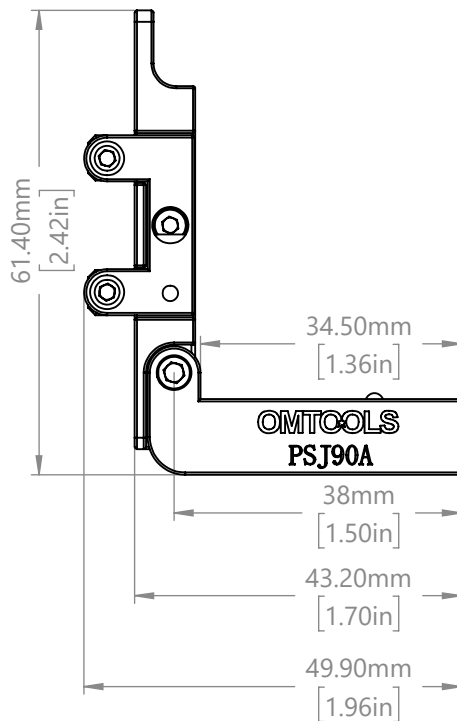
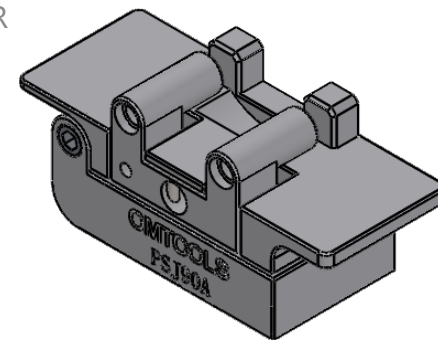
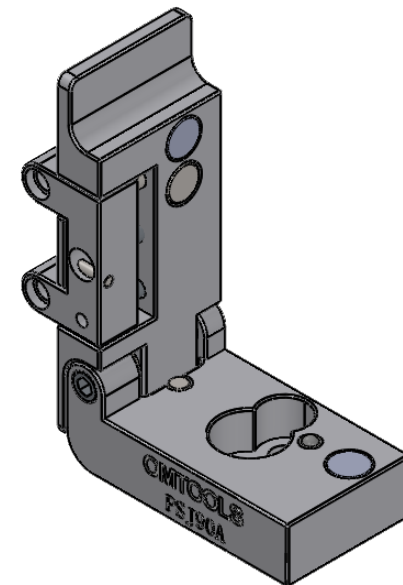


M4 NYLON-TIPPED
SECURING SETSCREW

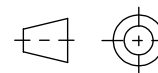


COUNTER BORE FOR
M4 CAP SCREW

COUNTER BORE FOR
M6 CAP SCREW



DRAWING
PROJECTION



REV

A0

DRAWN

TODD

DATE

2024/1/24

FOR INFORMATION ONLY
NOT FOR MANUFACTURING PURPOSES

OMTOOLS

PSJ90A 90° 翻转安装架

WEIGHT

0.05kg

SCALE

1:1