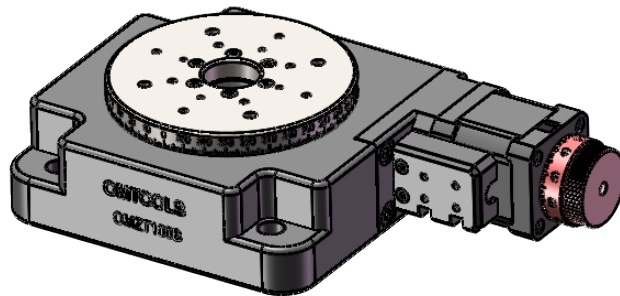
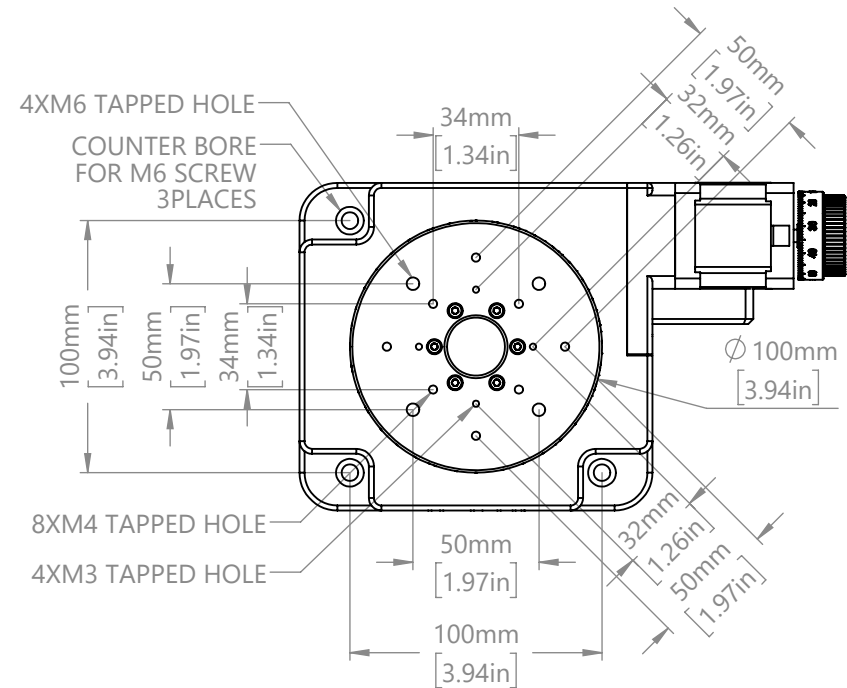
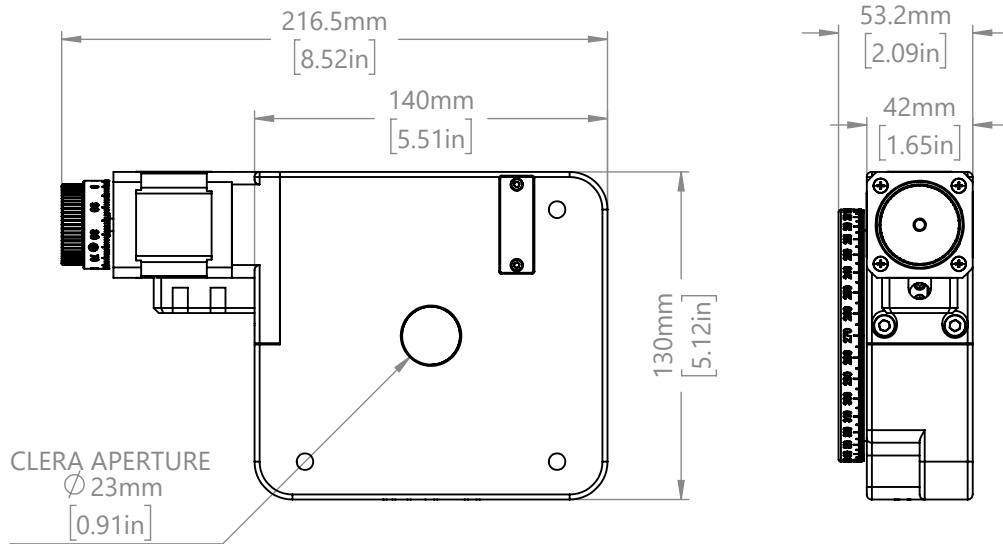


Ø 32KNURLING ADJUSTMENT KONB
DO NOT SCREW/UNSCREW PAST EXTENTS



DRAWING PROJECTION				OMTOOLS	
REV	A0	OMZT100B			
DRAWN	HSY			WEIGHT	SCALE
DATE	2021/11/11	3.24kg	1:3		
FOR INFORMATION ONLY NOT FOR MANUFACTURING PURPOSES					