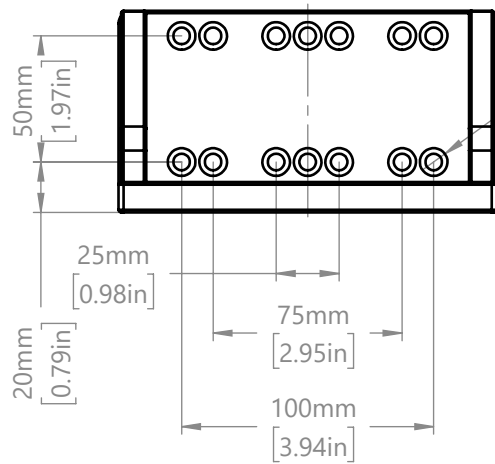
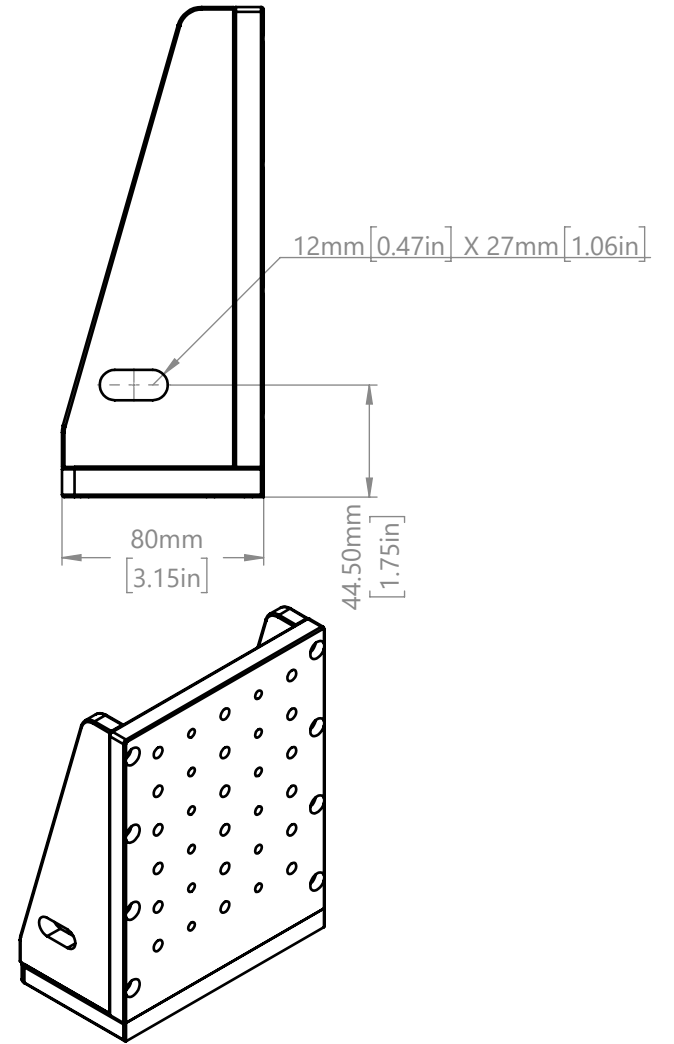
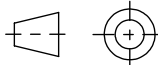



M6 MOUNTING HOLES
THROUGH 12 PLACES
COUNTER BORE FOR M6
CAP SCREW 18 PLACES



COUNTER BORE FOR M6
CAP SCREW 14 PLACES



| | | | | | |
|--|----------|---|-----|---|-------|
| DRAWING PROJECTION | |  | |  | |
| REV | A0 | OMLA21B | | | |
| DRAWN | TODD | | | WEIGHT | SCALE |
| DATE | 2024/1/8 | 1.60kg | 1:3 | | |
| FOR INFORMATION ONLY NOT FOR MANUFACTURING PURPOSES | | | | | |