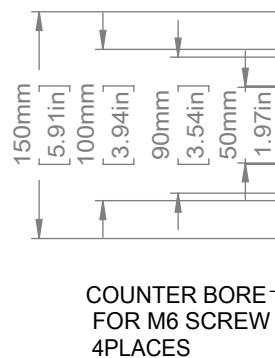
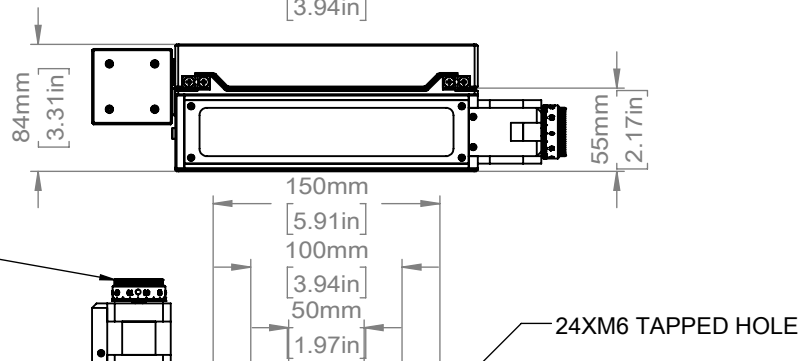
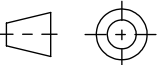


Ø32KNURLING
 ADJUSTMENT KONB
 DO NOT SCREW/UNSCREW
 PAST EXTENTS



Ø32KNURLING
 ADJUSTMENT KONB
 DO NOT SCREW/UNSCREW
 PAST EXTENTS

| | | | |
|----------------------------------------------------------------------------------------------------------|------------|----------------|-------|
| DRAWING PROJECTION  | | OMTOOLS | |
| REV | A0 | | |
| DRAWN | HSY | WEIGHT | SCALE |
| DATE | 2020.10.22 | 9.146kg | 1:5 |
| FOR INFORMATION ONLY NOT FOR MANUFACTURING PURPOSES | | | |