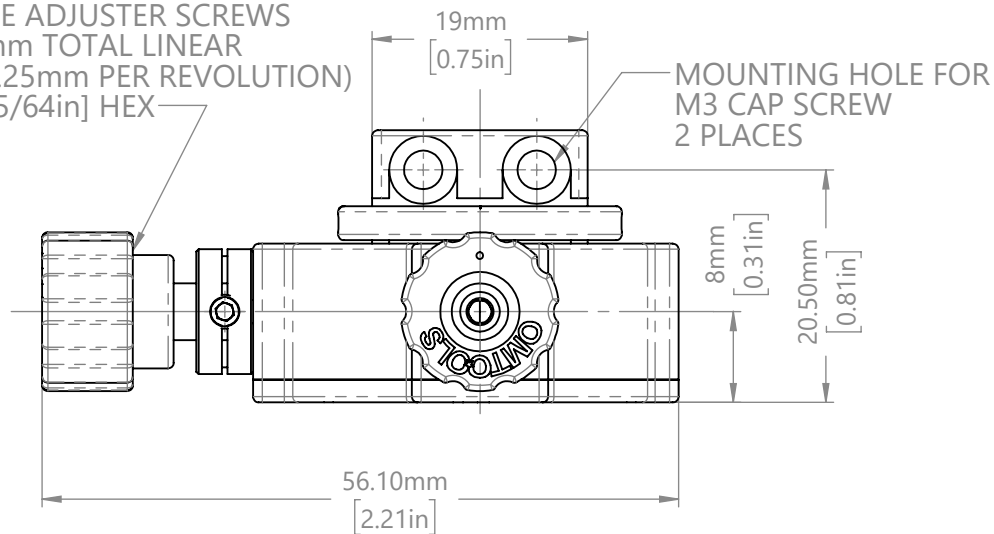


M5X0.25 LOCKABLE ADJUSTER SCREWS
 PROVIDES +/-1.0mm TOTAL LINEAR
 DISPLACEMENT (0.25mm PER REVOLUTION)
 2 PLACES 2.0mm [5/64in] HEX



DRAWING PROJECTION				OMTOOLS	
REV	A0	OMXY30C			
DRAWN	TODD			WEIGHT	SCALE
DATE	2023/7/21	0.06kg	1.5:1		
FOR INFORMATION ONLY NOT FOR MANUFACTURING PURPOSES					