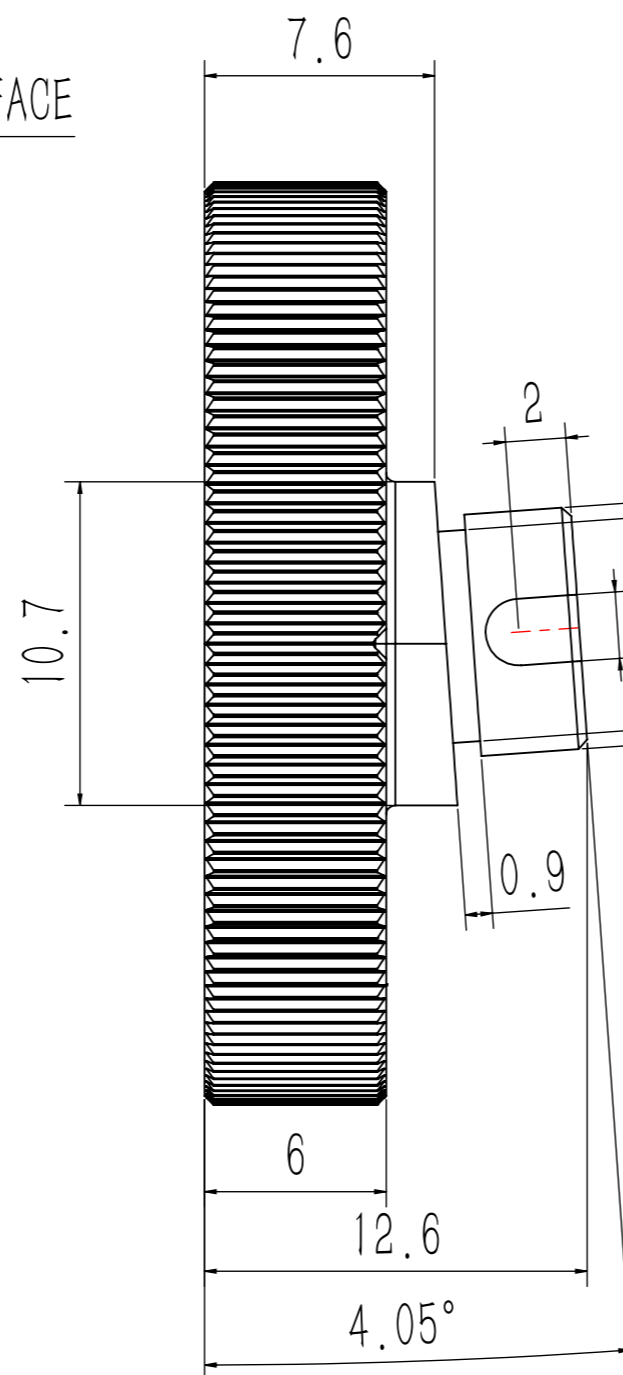
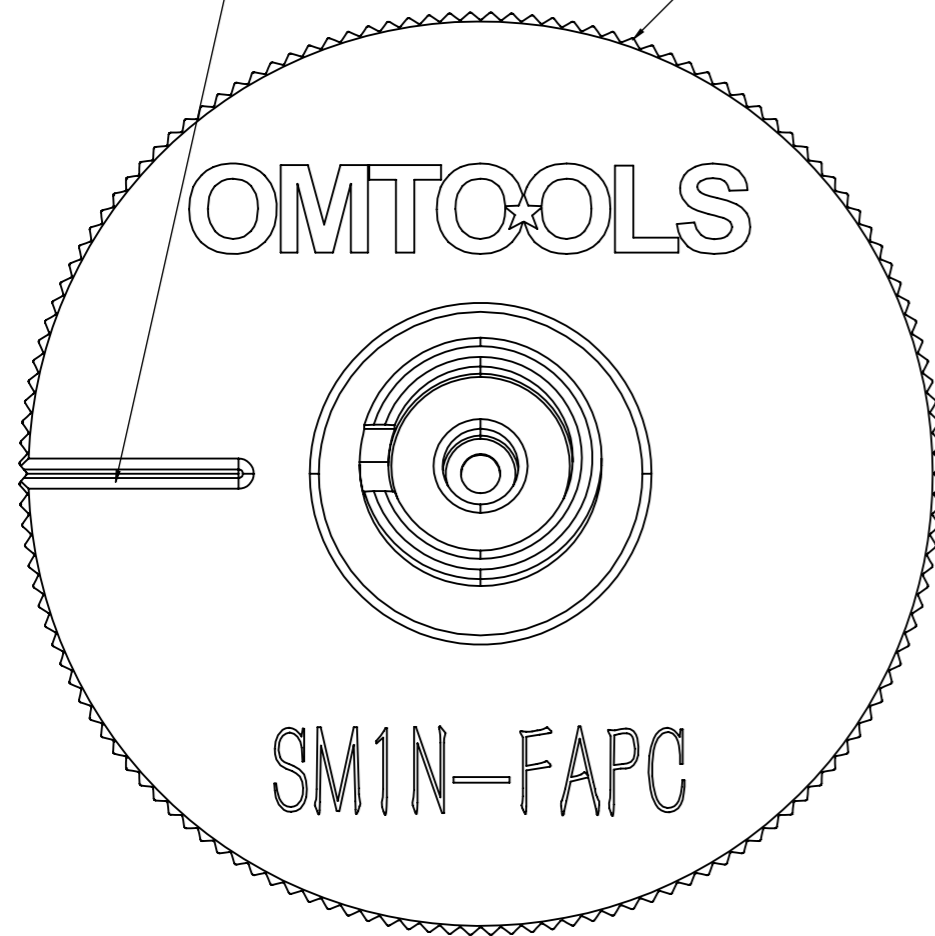
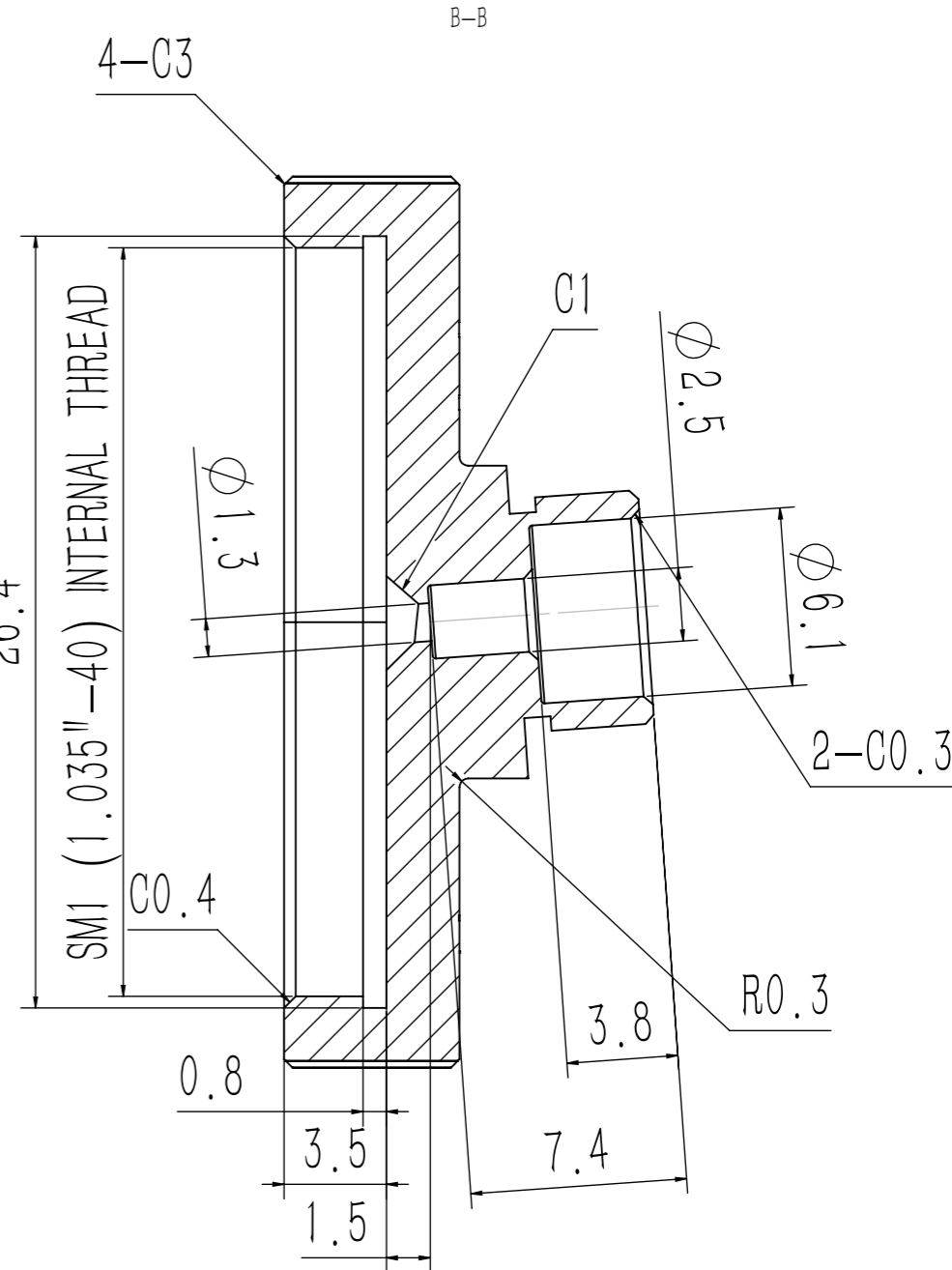


KEY SLOT
ALIGNMENT GROOVE

Ø 30.5
KNURLED SURFACE



M8 x 0.75 EXTERNAL THREAD



DRAWING PROJECTION			
REV	A0		
DRAWN	TODD	SM1N-FAPC 光纤法兰	
DATE	2022/11/3	WEIGHT	SCALE
FOR INFORMATION ONLY NOT FOR MANUFACTURING PURPOSES		0.02kg	4:1