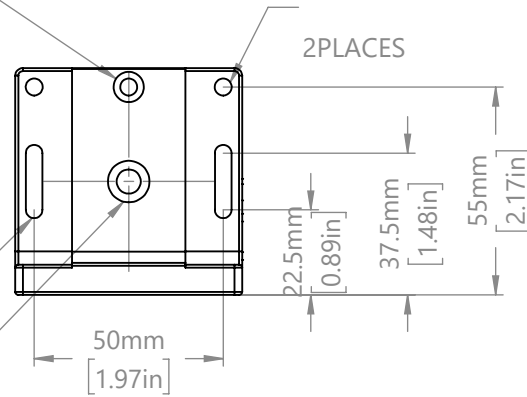


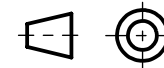
COUNTER BORE FOR M4 CAP SCREW



CLEARANCE SLOT FOR M4 CAP SCREW 2 PLACES

COUNTER BORE FOR M6 CAP SCREW

DRAWING PROJECTION



**OMTOOLS**

REV

A0

OMLB04B

DRAWN

TODD

DATE

2021/5/20

WEIGHT

SCALE

FOR INFORMATION ONLY  
NOT FOR MANUFACTURING PURPOSES

0.25kg

1:2