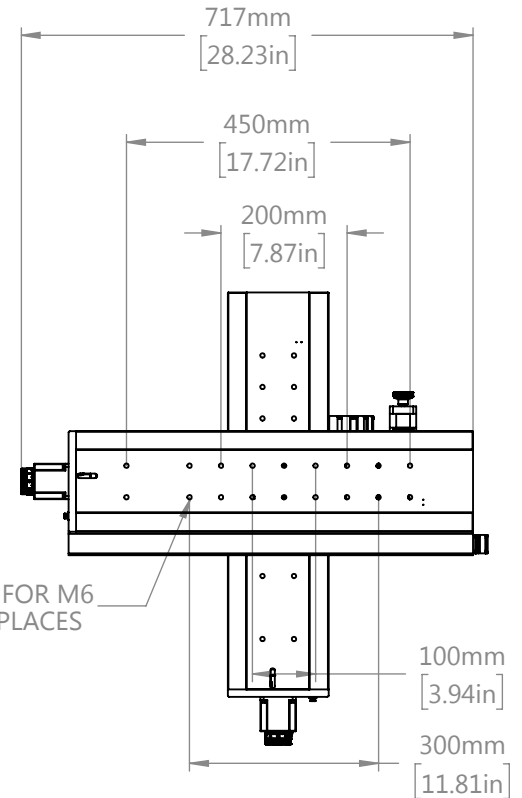
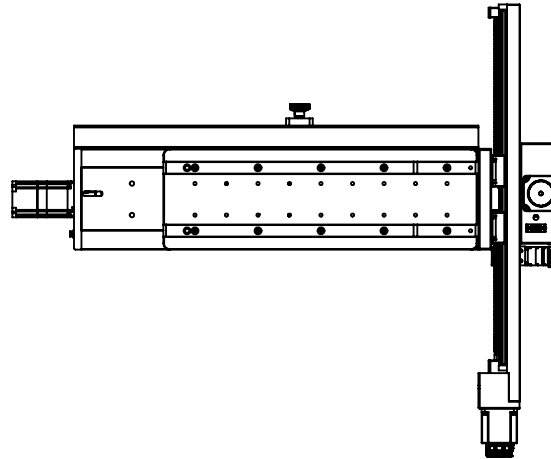


M6 MOUNTING HOLES  
10mm[0.40in] DEEP  
12PLACES



COUNTERBORE FOR M6  
CAP SCREW 18PLACES

DRAWING PROJECTION 

**OMTOOLS**

REV A0

OMDDH05AA

DRAWN TODD

DATE 2021/6/8

WEIGHT SCALE

FOR INFORMATION ONLY  
NOT FOR MANUFACTURING PURPOSES

30.6kg

1:12