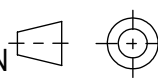


| | | | |
|--|-----------|-----------------|-------|
| DRAWING PROJECTION  | | OMTOOLS | |
| REV | A0 | OMPK6075L 手动角位台 | |
| DRAWN | TODD | WEIGHT | SCALE |
| DATE | 2022/7/26 | 0.32kg | 2:3 |
| FOR INFORMATION ONLY NOT FOR MANUFACTURING PURPOSES | | | |