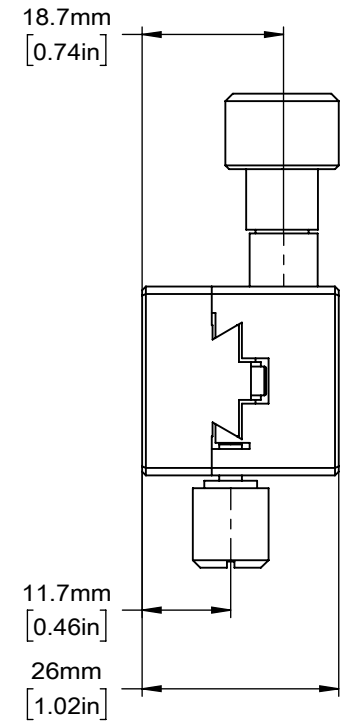
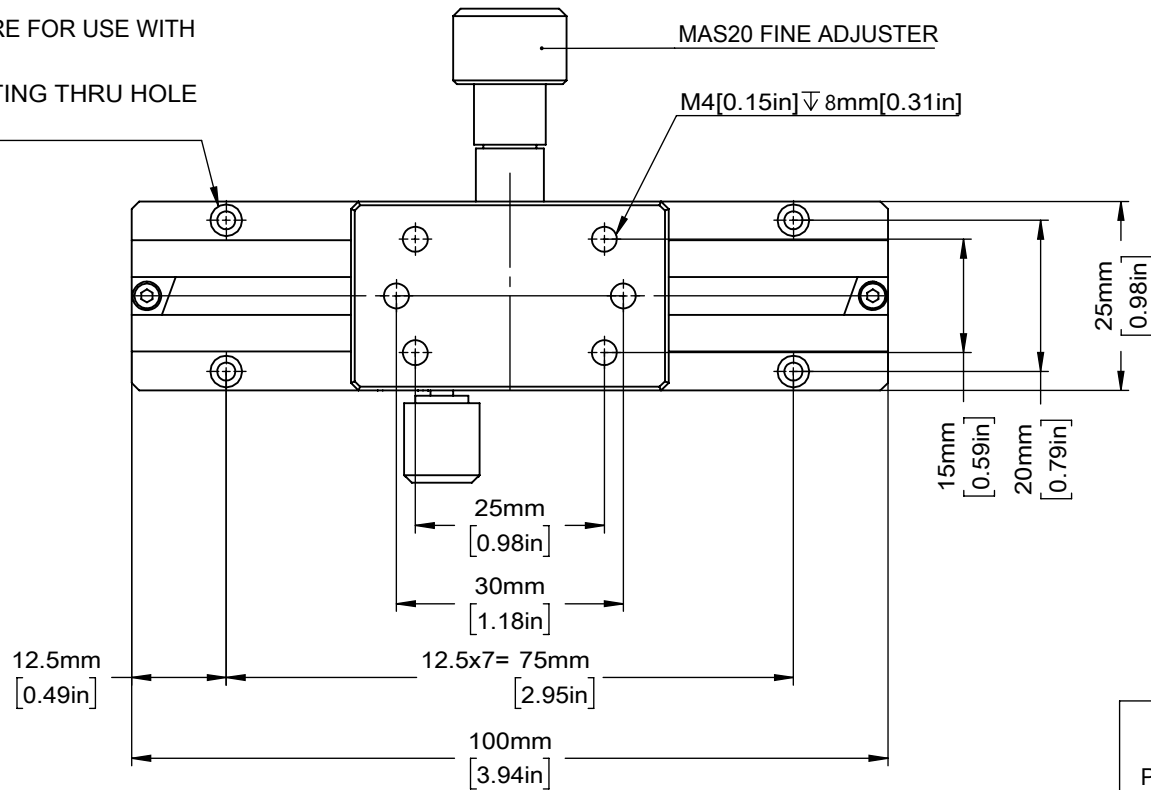
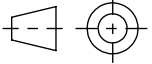


CLEARANCE BORE FOR USE WITH
M2 CAP SCREW
M3 X 0.5 MOUNTING THRU HOLE
12 PLACES



DRAWING PROJECTION 		OMTOOLS	
REV	A0	SPYC25-L100	
DRAWN	HSY		
DATE	2020/7/13	WEIGHT	SCALE
FOR INFORMATION ONLY NOT FOR MANUFACTURING PURPOSES		kg	1:1