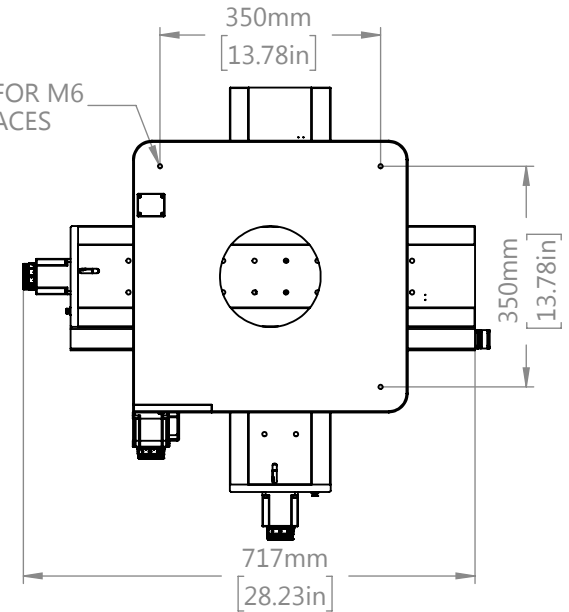


COUNTERBORE FOR M6  
CAP SCREW 3PLACES



DRAWING PROJECTION 

**OMTOOLS**

REV

A0

OMDDH05AB

DRAWN

TODD

DATE

2021/6/8

WEIGHT

SCALE

FOR INFORMATION ONLY  
NOT FOR MANUFACTURING PURPOSES

55.5kg

1:12