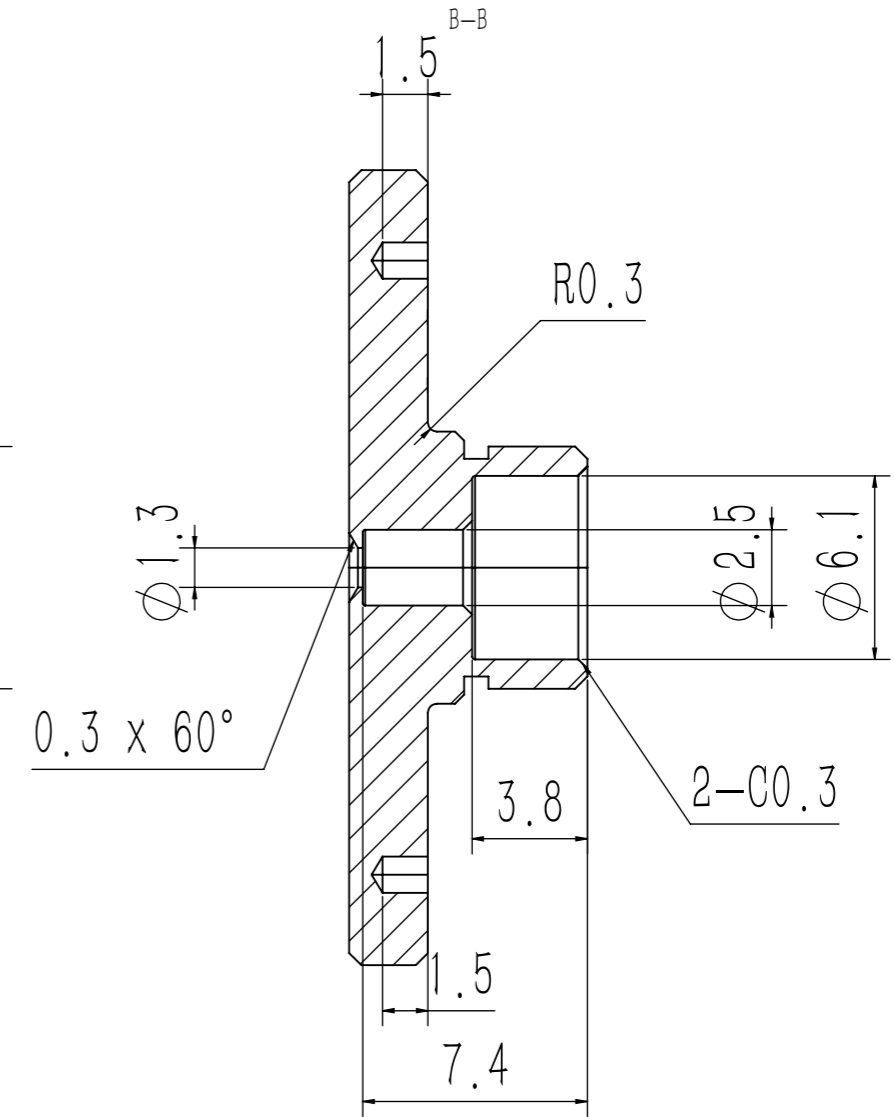
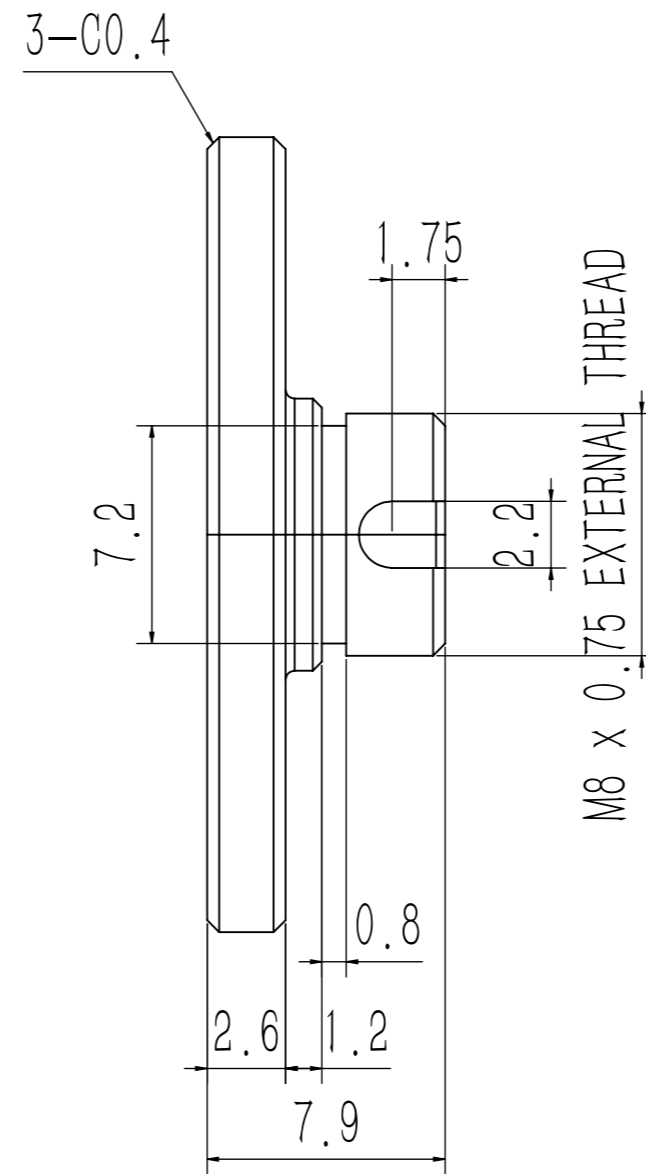
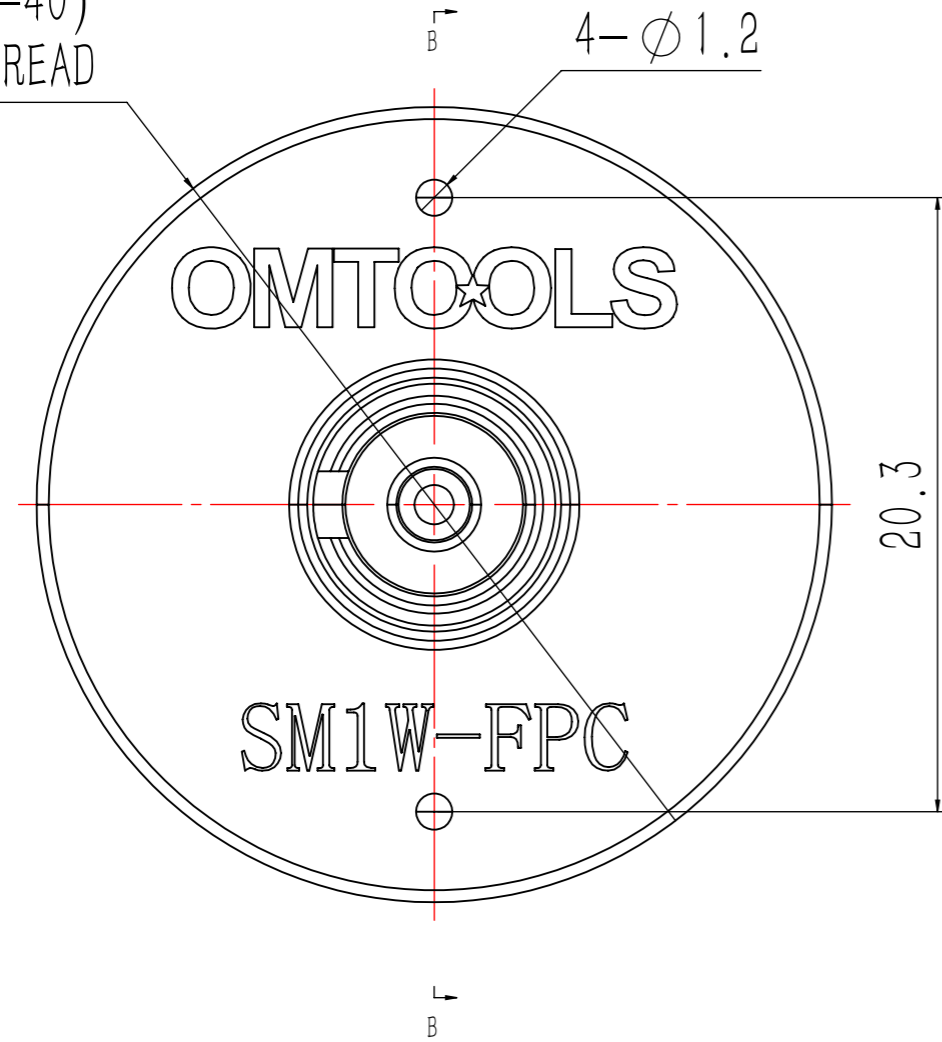
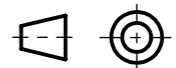



SM1 (1.035"-40)  
EXTERNAL THREAD



DRAWING PROJECTION					
REV	A0	SM1W-FPC 光纤法兰			
DRAWN	TODD	WEIGHT	SCALE		
DATE	2022/11/3	0.01kg	4:1		
FOR INFORMATION ONLY NOT FOR MANUFACTURING PURPOSES					