

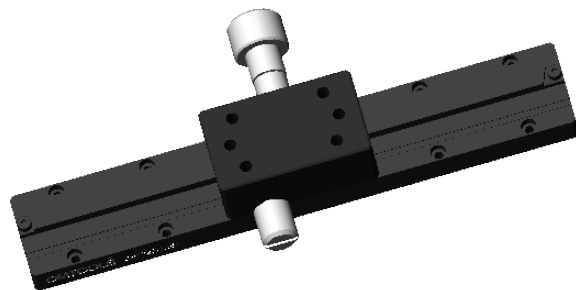
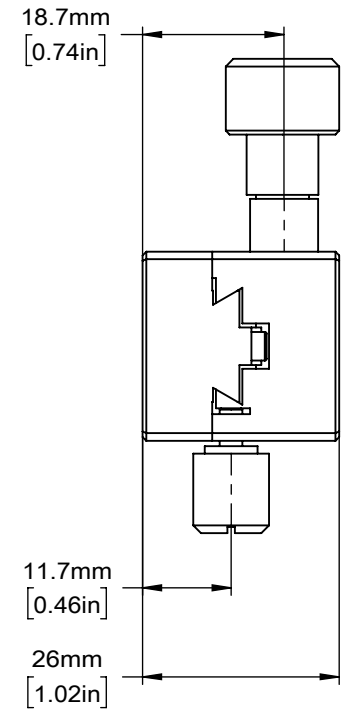
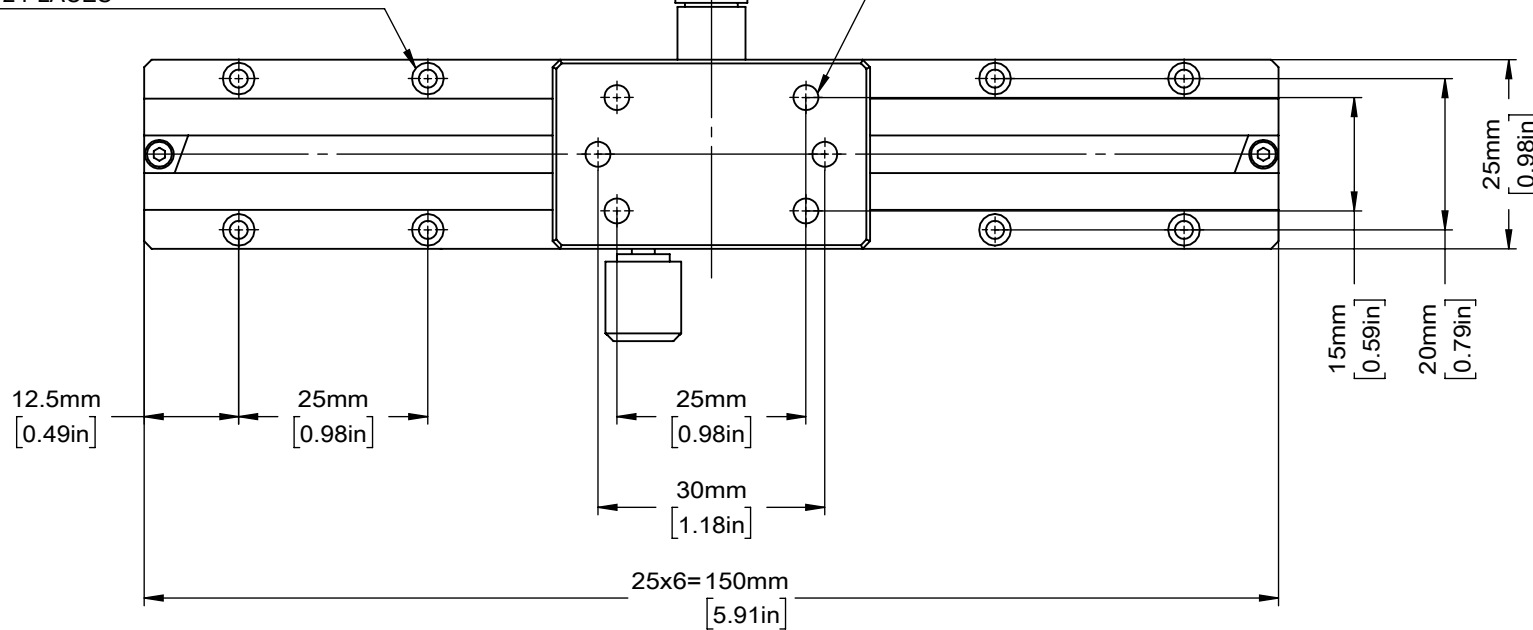
OMTOOLS SPYC25-L150

LOCKING FOR ADJUSTER KNOB

CLEARANCE BORE FOR USE WITH
M2 CAP SCREW
M3 X 0.5 MOUNTING THRU HOLE
12 PLACES

MAS20 FINE ADJUSTER

M4[0.15in] ∇ 8mm[0.31in]



DRAWING PROJECTION				<h1>OMTOOLS</h1>	
REV	A0	<p>SPYC25-L150</p>			
DRAWN	HSY			WEIGHT	SCALE
DATE	2020/7/13	kg	1:1		
FOR INFORMATION ONLY NOT FOR MANUFACTURING PURPOSES					