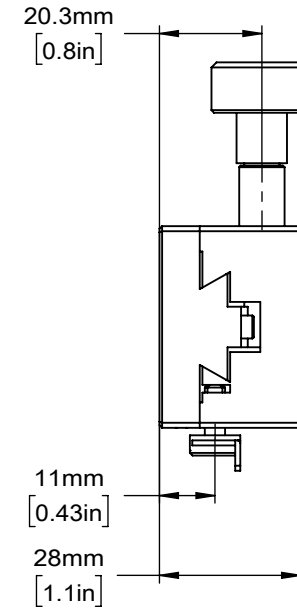
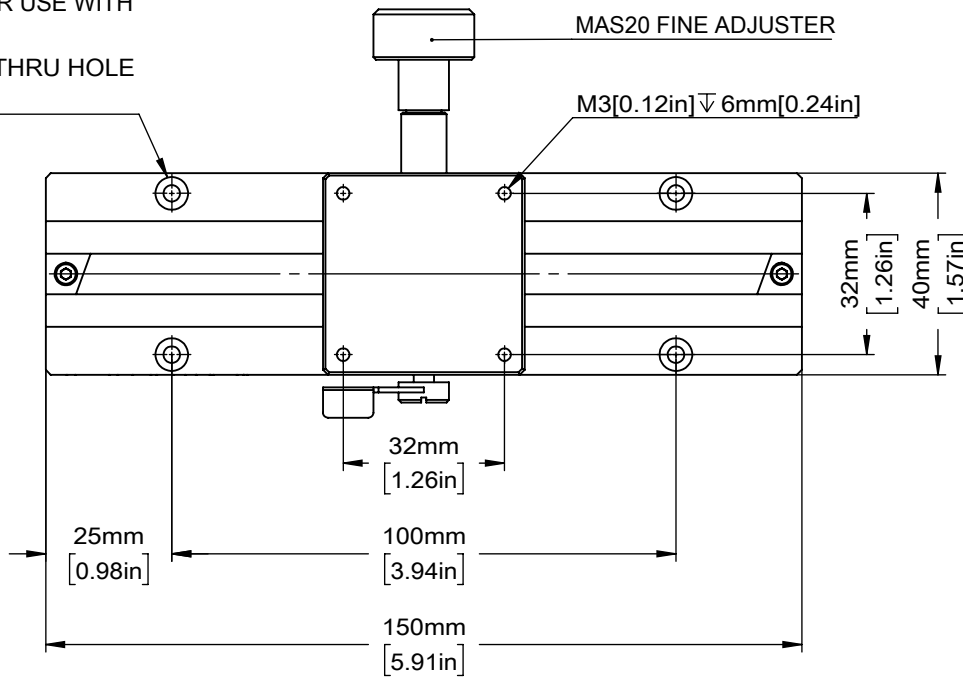
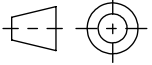


CLEARANCE BORE FOR USE WITH  
M3 CAP SCREW  
M4 X 0.7 MOUNTING THRU HOLE  
4 PLACES



DRAWING PROJECTION 		<b>OMTOOLS</b>	
REV	A0		
DRAWN	HSY	SPYC40-L150	
DATE	2020/7/13	WEIGHT	SCALE
FOR INFORMATION ONLY NOT FOR MANUFACTURING PURPOSES		kg	1:1.5