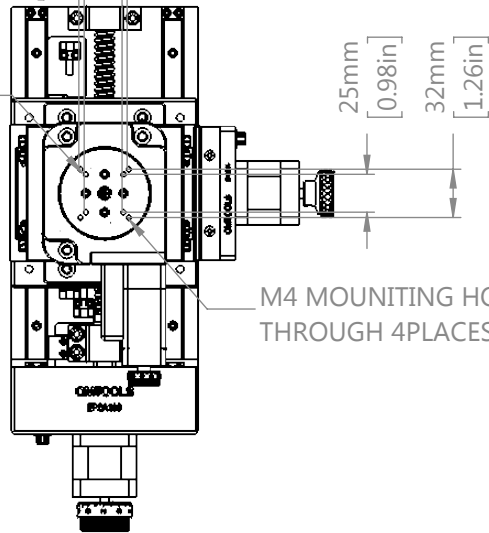


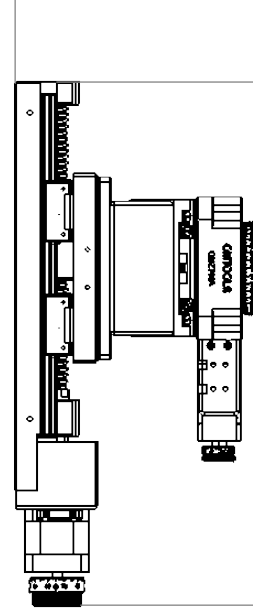
32mm [1.26in]
25mm [0.98in]

M4 MOUNTING HOLES
4mm [0.16in] DEEP
4 PLACES



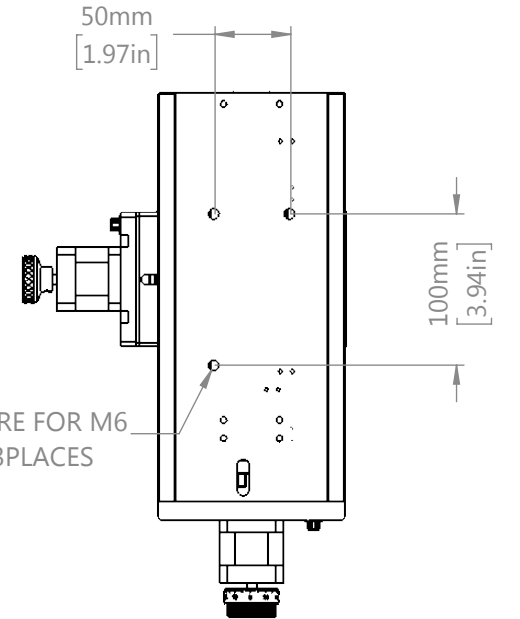
M4 MOUNTING HOLES
THROUGH 4 PLACES

160mm [6.30in]



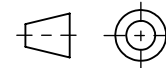
346mm [13.62in]

50mm [1.97in]



COUNTERBORE FOR M6
CAP SCREW 3 PLACES

DRAWING
PROJECTION



OMTOOLS

REV

A0

OMDDH03CD

DRAWN

TODD

DATE

2021/6/8

WEIGHT

SCALE

FOR INFORMATION ONLY
NOT FOR MANUFACTURING PURPOSES

6.4kg

1:5