

OMTOOLS SPYC25-L200

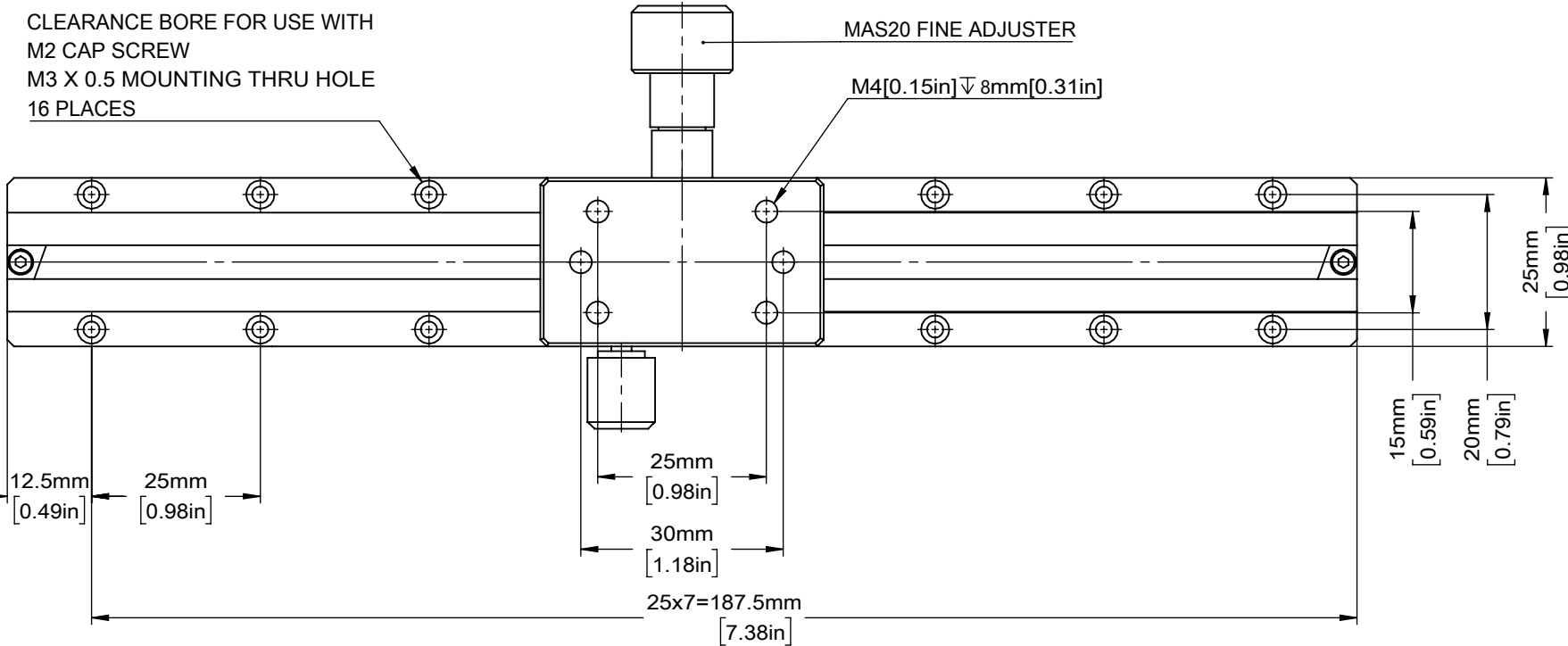
9mm  
[0.35in]

LOCKING FOR ADJUSTER KNOB

CLEARANCE BORE FOR USE WITH  
M2 CAP SCREW  
M3 X 0.5 MOUNTING THRU HOLE  
16 PLACES

MAS20 FINE ADJUSTER

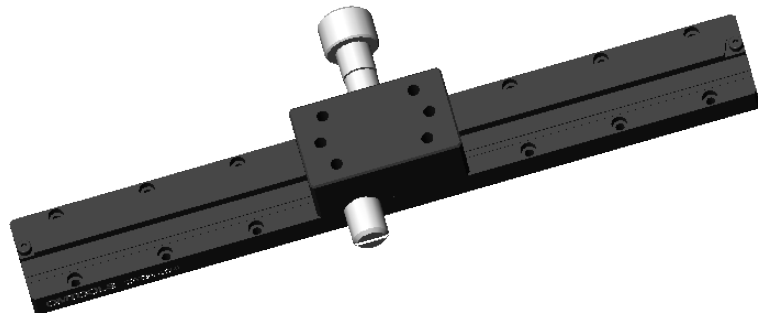
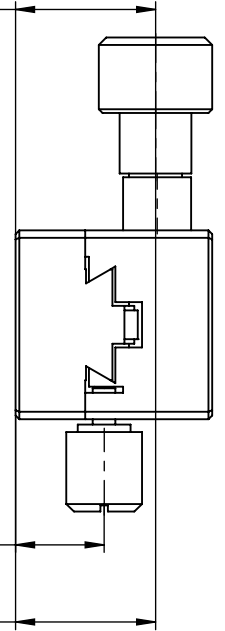
M4[0.15in] ∇ 8mm[0.31in]

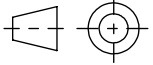


18.5mm  
[0.73in]

11.7mm  
[0.46in]

18.5mm  
[0.73in]



DRAWING PROJECTION 		<b>OMTOOLS</b>	
REV	A0		
DRAWN	HSY	SPYC25-L200	
DATE	2020/7/13	WEIGHT	SCALE
FOR INFORMATION ONLY NOT FOR MANUFACTURING PURPOSES		kg	1:1