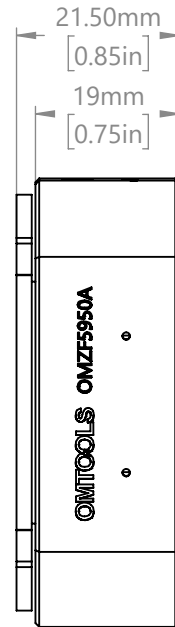
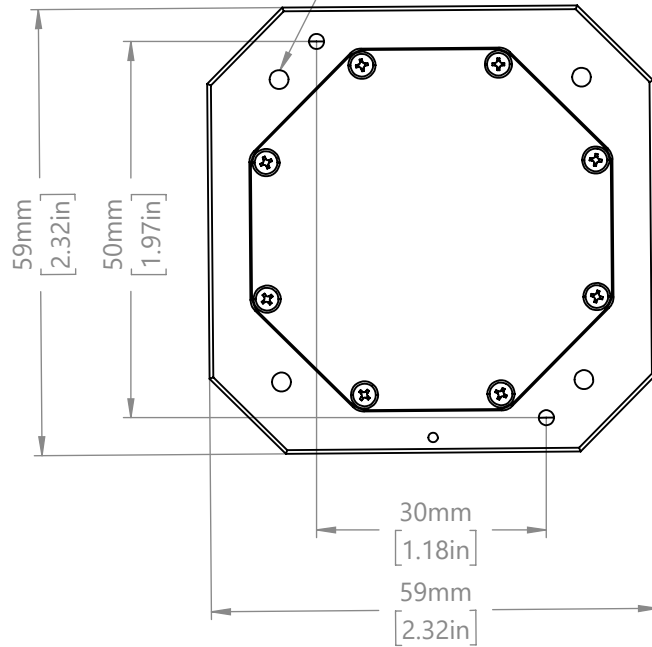
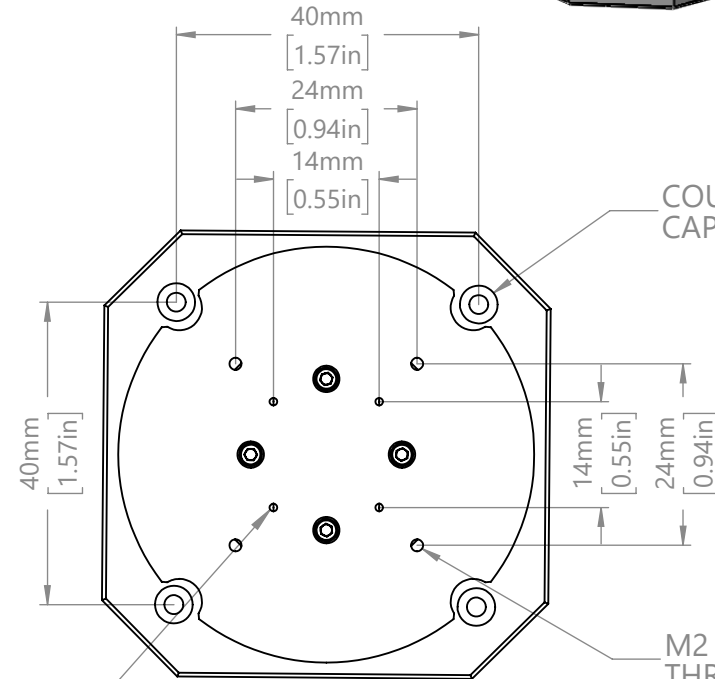


M3 MOUNTING HOLES THROUGH 4 PLACES



∅ 1mm ALIGNMENT PIN HOLES 4 PLACES



COUNTERBORE FOR M2 CAP SCREW 4 PLACES

M2 MOUNTING HOLES THROUGH 4 PLACES

DRAWING PROJECTION				OMTOOLS	
REV	A0	OMZF5950A 纳米压电转台			
DRAWN	TODD			WEIGHT	SCALE
DATE	2023/6/14	0.19kg	1:1		
FOR INFORMATION ONLY NOT FOR MANUFACTURING PURPOSES					