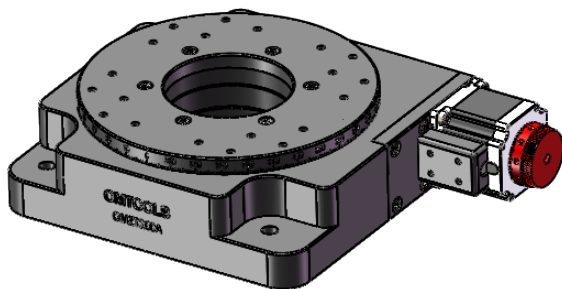
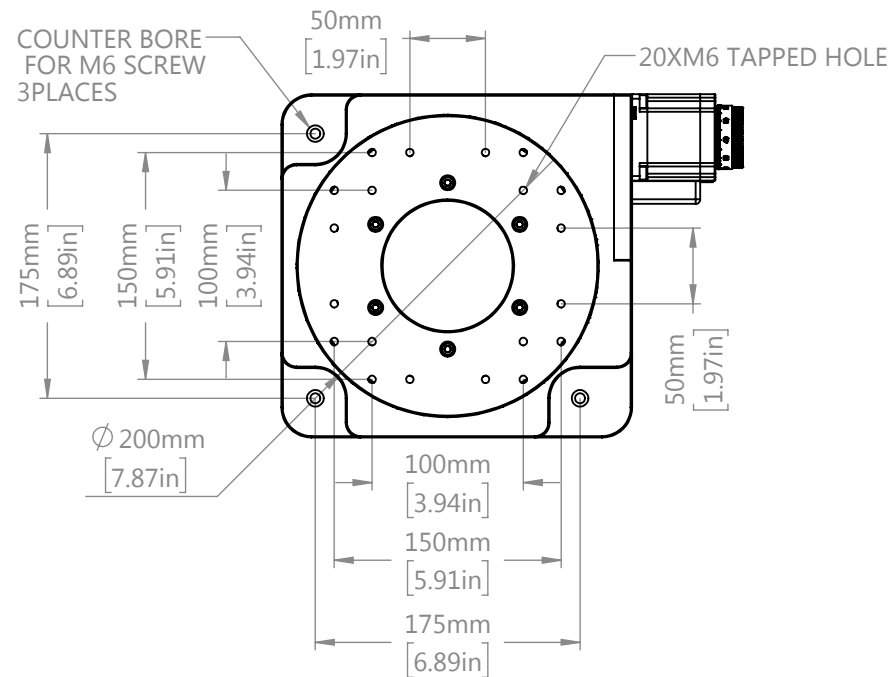
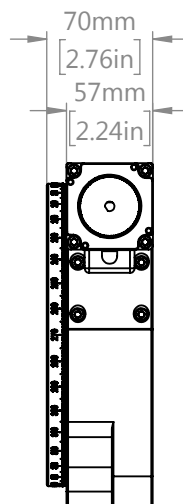
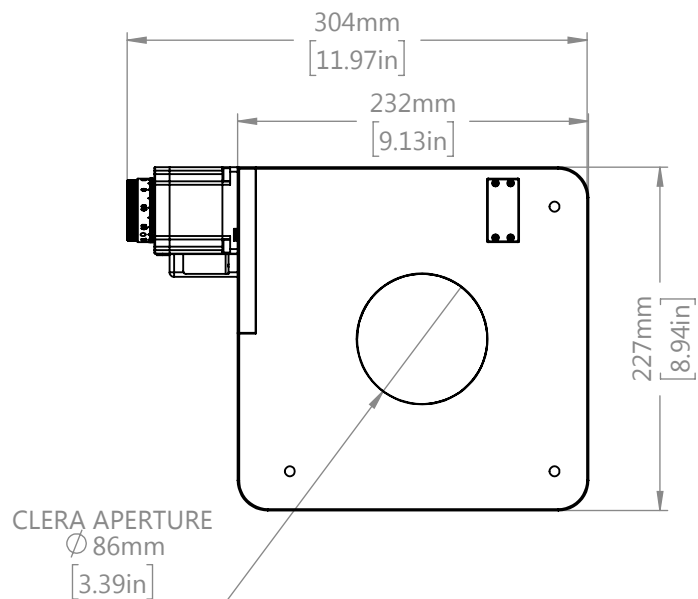


Ø 40KNURLING ADJUSTMENT KONB  
DO NOT SCREW/UNSCREW PAST EXTENTS



DRAWING PROJECTION				<h1>OMTOOLS</h1>	
REV	A0	<p>OMZT200A</p>			
DRAWN	HSY			WEIGHT	SCALE
DATE	2021/4/14	7.38kg	1:5		
FOR INFORMATION ONLY NOT FOR MANUFACTURING PURPOSES					