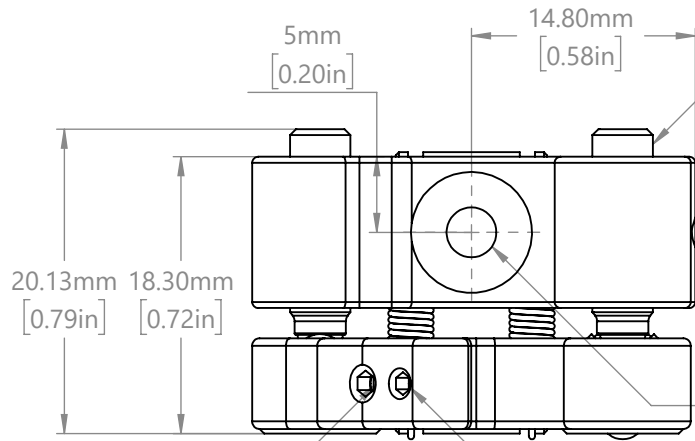


M4X0.2 ADJUSTER SCREWS PROVIDES $\pm 5^\circ$ TOTAL ANGULAR DISPLACEMENT (0.65° PER REVOLUTION) 3 PLACES 2.0mm [5/64in] HEX



COUNTERBORED MOUNTING HOLE FOR USE WITH M4 CAP SCREW 2 PLACES @ 90°

FLEXURE LOCK SCREW 3.0mm HEX

PRE-LOAD SCREW DO NOT ADJUST

DRAWING PROJECTION				OMTOOLS	
REV	A0	OMBT12AN1 不锈钢光学调整镜架			
DRAWN	TODD	WEIGHT	SCALE		
DATE	2023/12/11	0.05kg	2:1		
FOR INFORMATION ONLY NOT FOR MANUFACTURING PURPOSES					