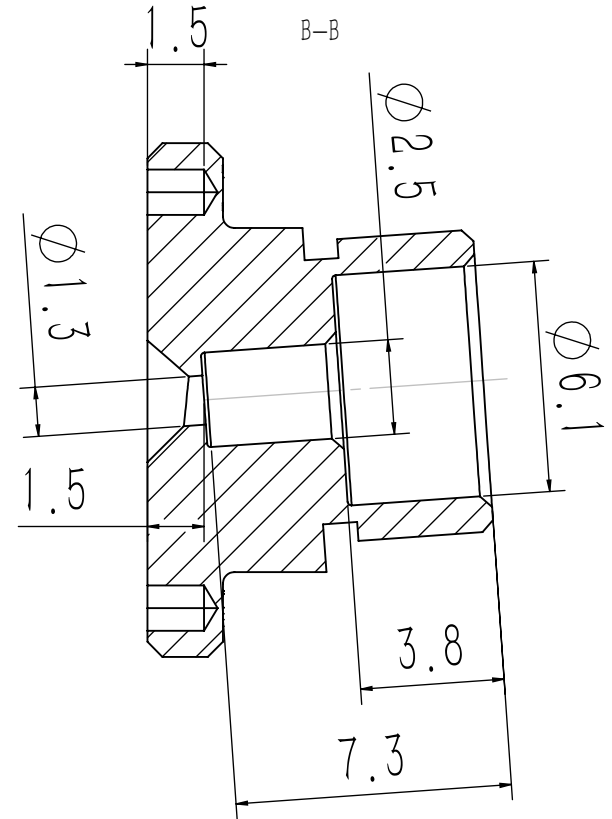
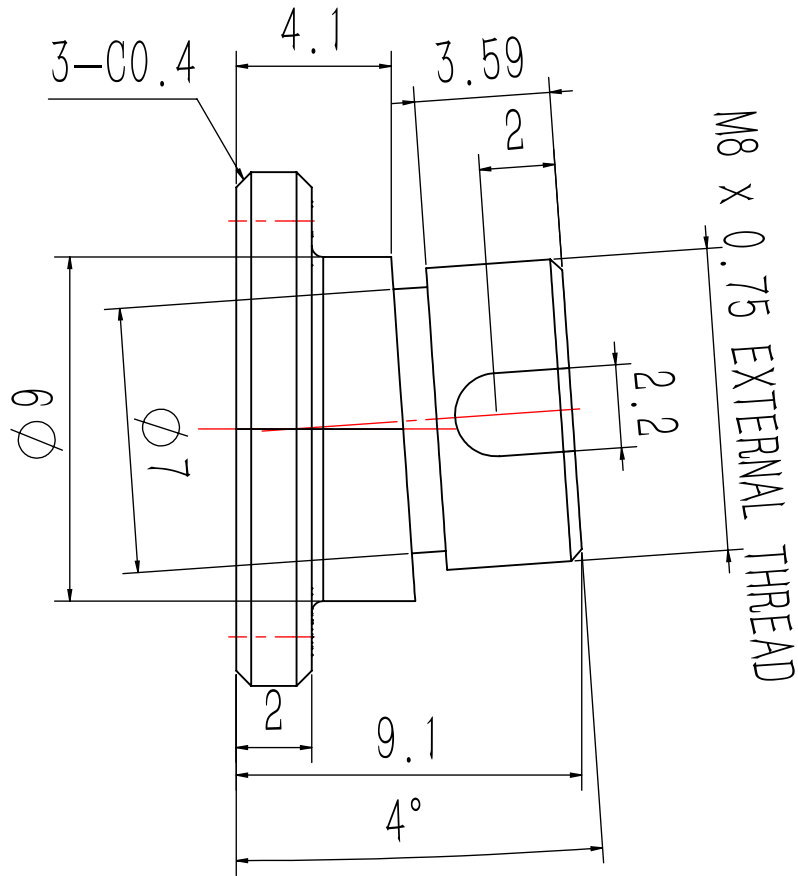
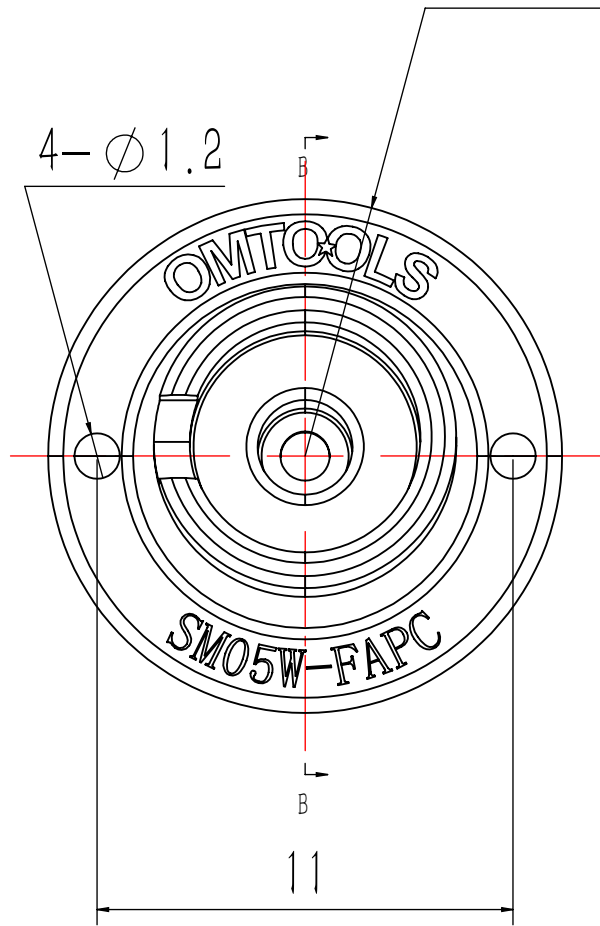


SM05 (0.535"-40)  
EXTERNAL THREAD



DRAWING PROJECTION					
REV	A0	SM05W-FAPC 光纤法兰			
DRAWN	TODD	WEIGHT	SCALE		
DATE	2022/11/3	0.00kg	5:1		
FOR INFORMATION ONLY NOT FOR MANUFACTURING PURPOSES					