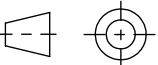


DRAWING PROJECTION 		<b>OMTOOLS</b>	
REV	A0	LDA71A 无空隙挠性压块	
DRAWN	TODD		
DATE	2022/9/1	WEIGHT	SCALE
FOR INFORMATION ONLY NOT FOR MANUFACTURING PURPOSES		0.12kg	1:1