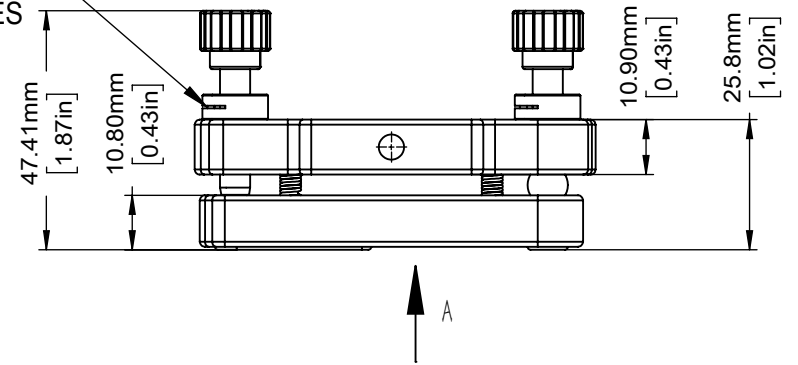
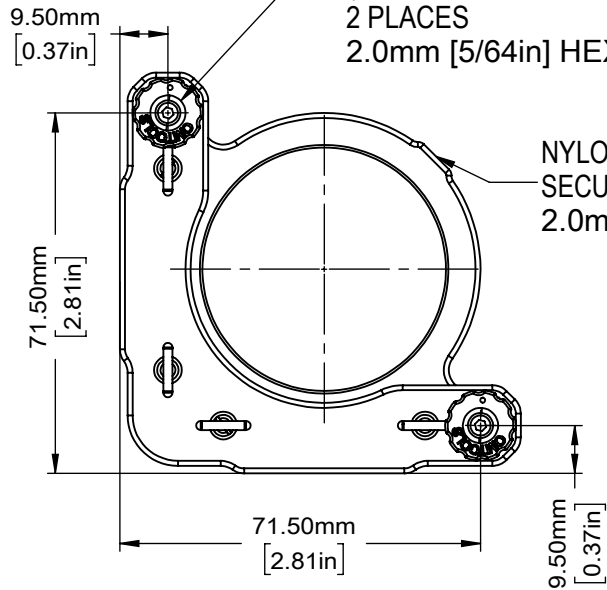


ADJUSTER LOCKING SCREW
1.5mm HEX 2 PLACES

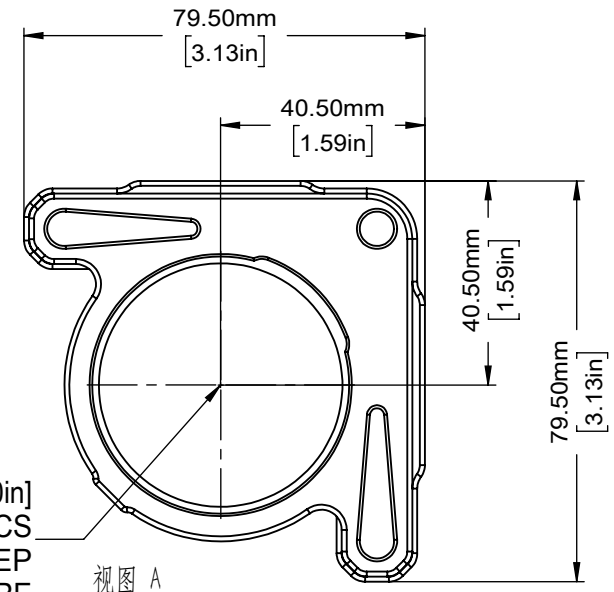


M6X0.25 ADJUSTER SCREWS
PROVIDES +/-3° TOTAL ANGULAR DISPLACEMENT
(0.4° PER REVOLUTION)
2 PLACES
2.0mm [5/64in] HEX



NYLON-TIPPED SET SCREW FOR
SECURING OF MOUNTED OPTIC
2.0mm [5/64in] HEX

MOUNTING DOUBLE-BORE ACCEPTS 50.8mm [2.00in]
MINIMUM 4.0mm [0.157in] THICK OPTICS
5.8mm [0.23in] DEEP
48.3mm [1.9in] CLEAR APERTURE



DRAWING PROJECTION		OMTOOLS	
REV	A0		
DRAWN	TODD	WEIGHT	SCALE
DATE	2022/9/14	0.17kg	2:3
FOR INFORMATION ONLY NOT FOR MANUFACTURING PURPOSES			