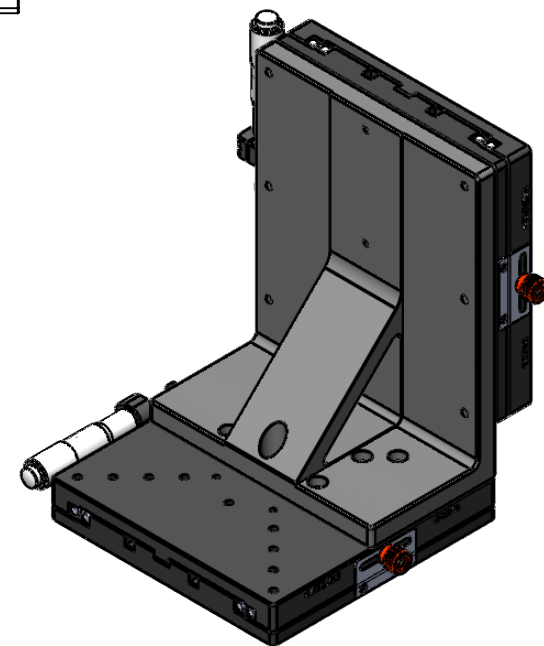
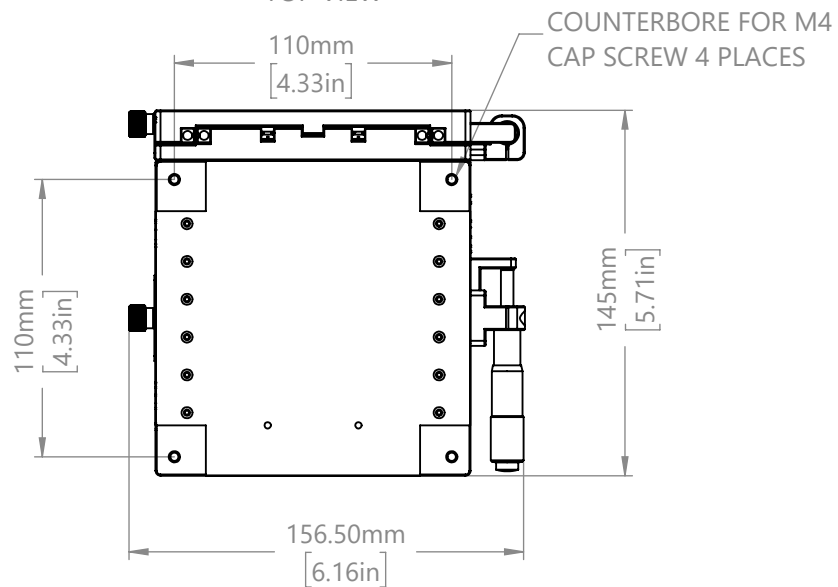
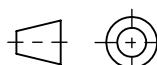


M6 MOUNTING THROUGH HOLE

TOP VIEW



DRAWING PROJECTION 		OMTOOLS	
REV	A0		
DRAWN	TODD	WEIGHT	SCALE
DATE	2021/6/11	2.8kg	1:3
FOR INFORMATION ONLY NOT FOR MANUFACTURING PURPOSES			