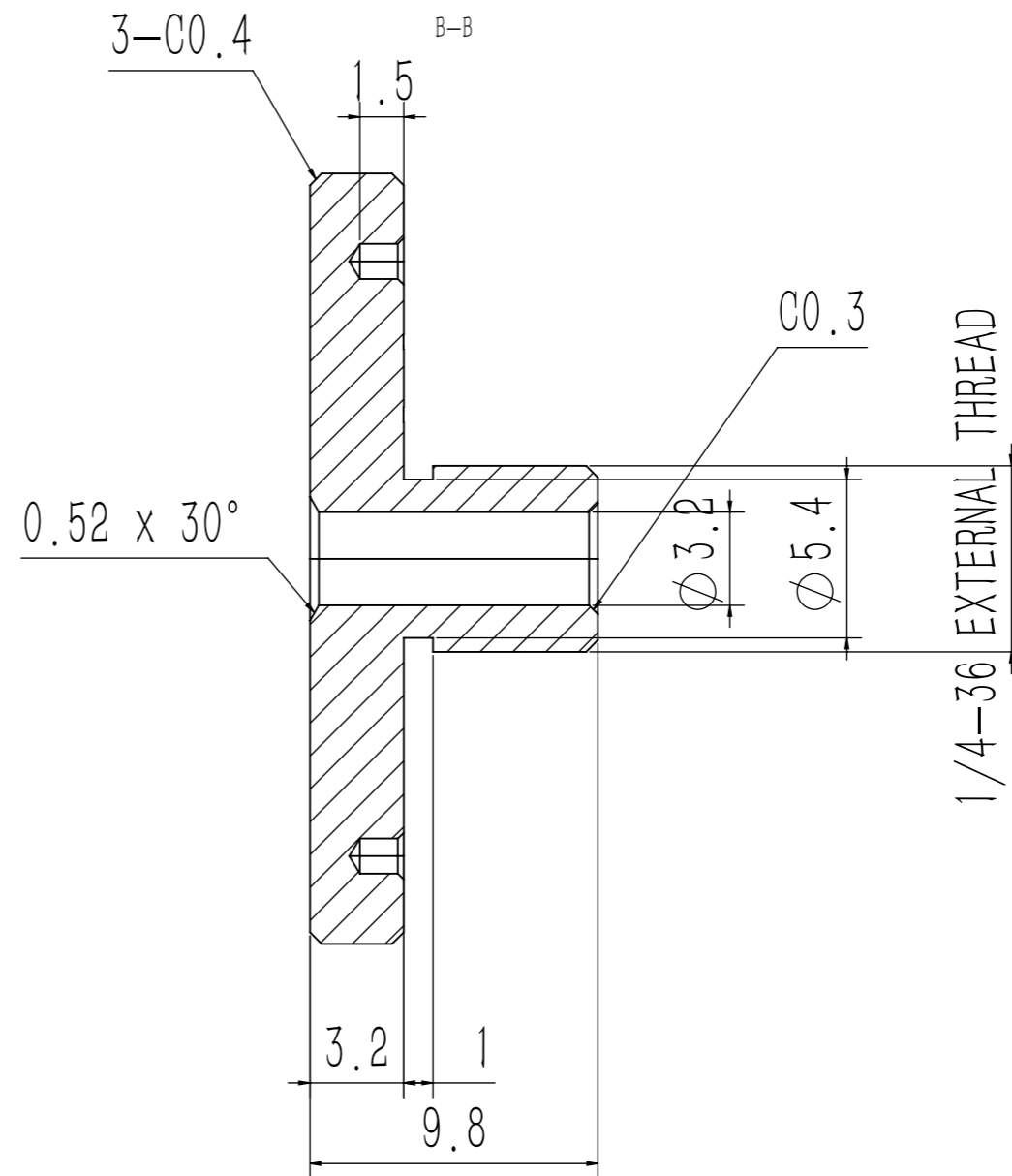
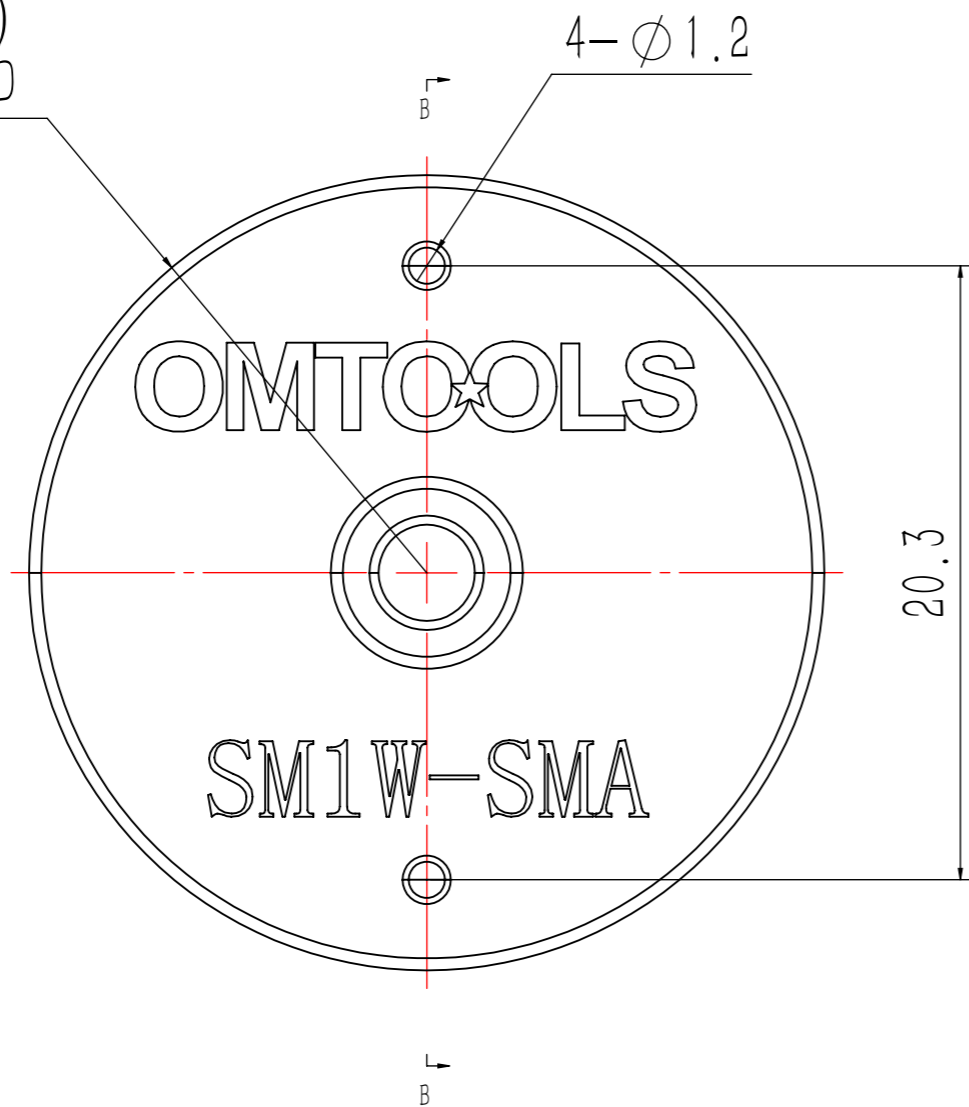
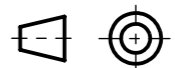




SM1 (1.035"-40)
EXTERNAL THREAD



| | | | | | | | |
|--|-----------|---|-------|---|--|---|--|
| DRAWING PROJECTION | |  | |  | |  | |
| REV | A0 | SM1W-SMA 光纤法兰 | | | | | |
| DRAWN | TODD | | | | | | |
| DATE | 2022/11/3 | WEIGHT | SCALE | | | | |
| FOR INFORMATION ONLY NOT FOR MANUFACTURING PURPOSES | | 0.01kg | 4:1 | | | | |